

Table of contents:	page	Table of contents:	page
1 Product description	2	3 Manual manoeuvre or release	8
2 Installation	2	4 Testing	8
2.1 Preliminary checks	2	5 Maintenance	8
2.2 Limits of use	2	5.1 Disposal	8
2.3 Assembly	3	6 Technical specifications	9
2.3.1 Fitting the rear bracket	3	6.1 Models and characteristics	9
2.3.2 Fitting the front bracket	5		
2.3.3 Opening the gate outwards	5	Instructions and warnings for users of the MOBY gear motor	11
2.4 Adjusting the limit switch	5		
2.5 Mounting the electric lock (optional accessory)	6		
2.6 Typical system layout	6		
2.7 Electrical connections	7		

Important information

Congratulations on choosing this Nice product. Please read this handbook carefully.

To make these instructions easier to follow, we have, wherever possible, put them in the order in which they will be carried out during the various system installation phases.

Please read these instructions and the attached "Warnings for fitters" file carefully before installing the product as they contain important information concerning safety, installation, use and maintenance

Anything not expressly specified in these instructions is forbidden. Operations not indicated in these instructions may cause damage to the product, people and property.

Nice declines all liability for badly built gates or any deformations that may occur during use.

Do not install the product in explosive atmospheres.

1) Product description

MOBY is an electromechanical gear motor for automating the movement of single or double leaf residential gates.

A NICE control unit should be used to ensure the gear motor works correctly.

The release device allows the gate to be opened manually.

2) Installation

2.1) Preliminary checks

Before proceeding with installation, check that the structure is suitable, that is, make sure it complies with current standards; make especially sure that:

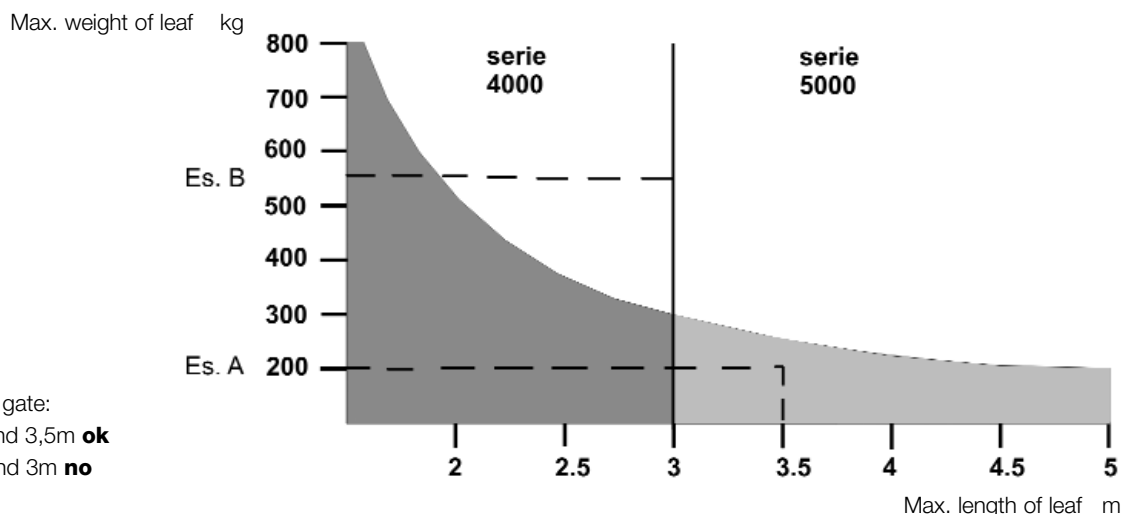
- the gate does not stick when opening or closing;
- the gate is well balanced, that is, if it stops in any position it remains motionless;
- the gate moves silently and smoothly;
- the area identified for fitting the gear motor ensures the gate can be moved easily and safely;
- the packaging is undamaged, please see **fig.1**;
- the assembly area is compatible with the size of the gear motor (**fig.2**), bearing in mind that the opening of the gate and the motor thrust applied depend on where the rear bracket is fixed. Before proceeding with installation, therefore, please read paragraph 2.3 "Assembly", to make sure the gate has a sufficient opening angle and thrust to satisfy customer requirements.

⚠ Please remember that MOBY powers a gate (with one or two leaves) which must be in good condition and safe; it cannot make up for defects caused by incorrect installation or bad maintenance.

2.2) Limits of use



The shape, the height of the gate (e.g.: blind) and the weather conditions (e.g.: strong winds) can considerably reduce the values shown in the graph to the side.

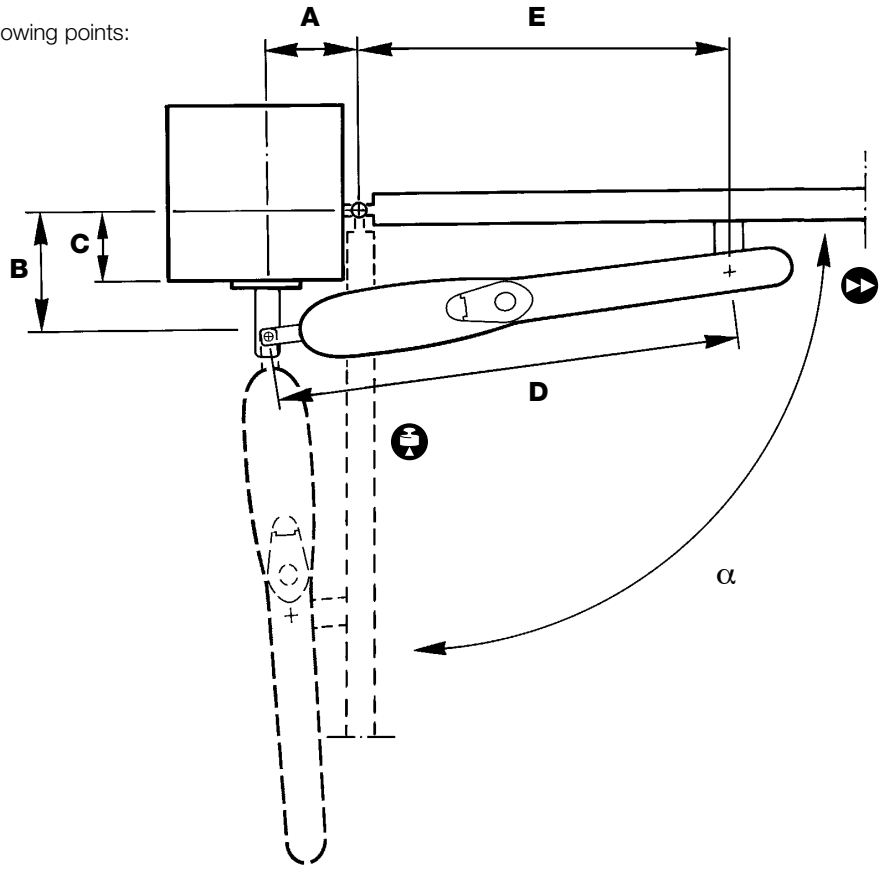
The 24Vdc models are not suitable for use in windy areas



2.3) Assembly

To assemble the system correctly, check the following points:

- 1) Projection of column **C**
- 2) Opening angle α
- 3) Speed 
- 4) Thrust 



2.3.1) Fixing the rear bracket:

Carry out the following operations:

- 1.1** Measure the value of C (the example shows 70mm).
- 1.2** Find the value of C in the graph of the relative MOBY model and draw a horizontal line (**fig.8**).
- 1.3** Find the minimum value of "B" on the graph using the straight line you have just drawn (the example shows 130 mm **fig.9**), the area above the line contains the points where the bracket can be fixed.
- 2** There is a relationship between the opening angle of the gate and the positions of the bracket (A and B) as can be seen in the graphs relative to each product where the different coloured areas represent the maximum permitted angles.

If, for example (**fig.9**), the gate must be opened by $100^\circ \pm 110^\circ$, A and B must identify a point on the graph belonging to the corresponding colour area.

- 3** Inside this area, remember that the thrust applied to the gate and the opening and closing time are directly proportional to the values of A and B and that these values must be similar for linear operation; the recommended installation line should therefore be respected.

Example

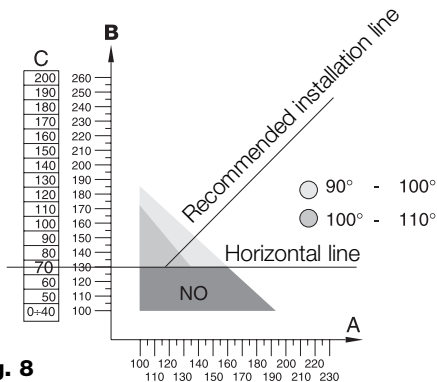


Fig. 8

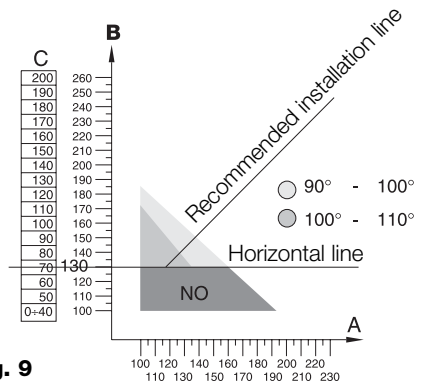
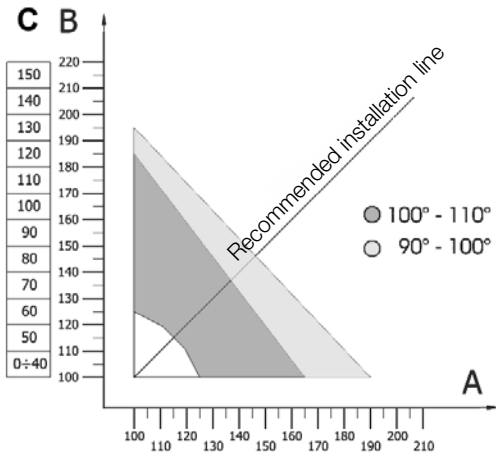
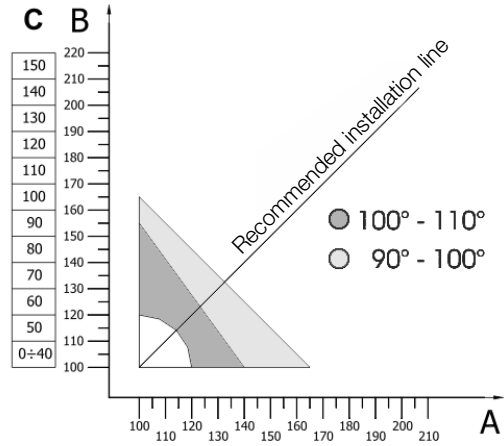


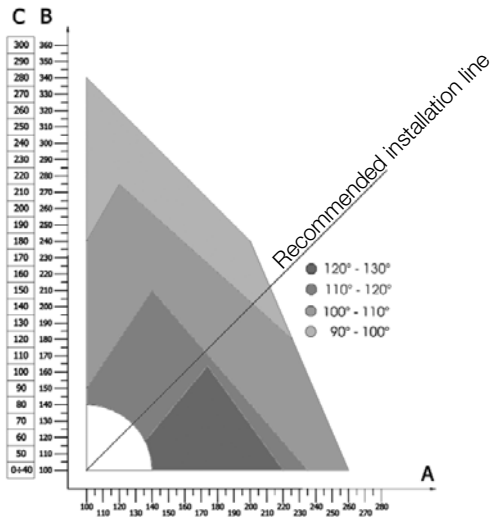
Fig. 9



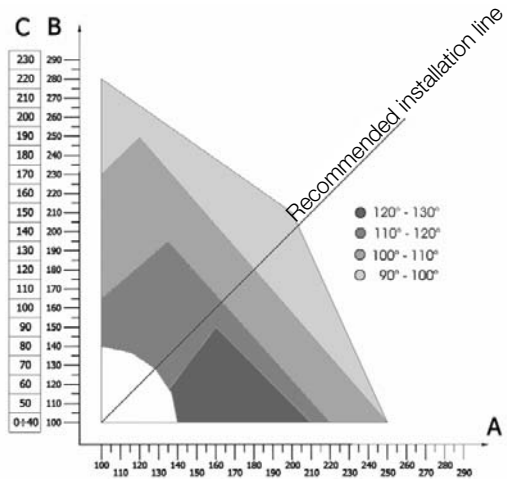
MB4005 - MB4015 - MB4024 - MB4605 - MB4615
opening limit switch



MB4006
opening and closing limit switch

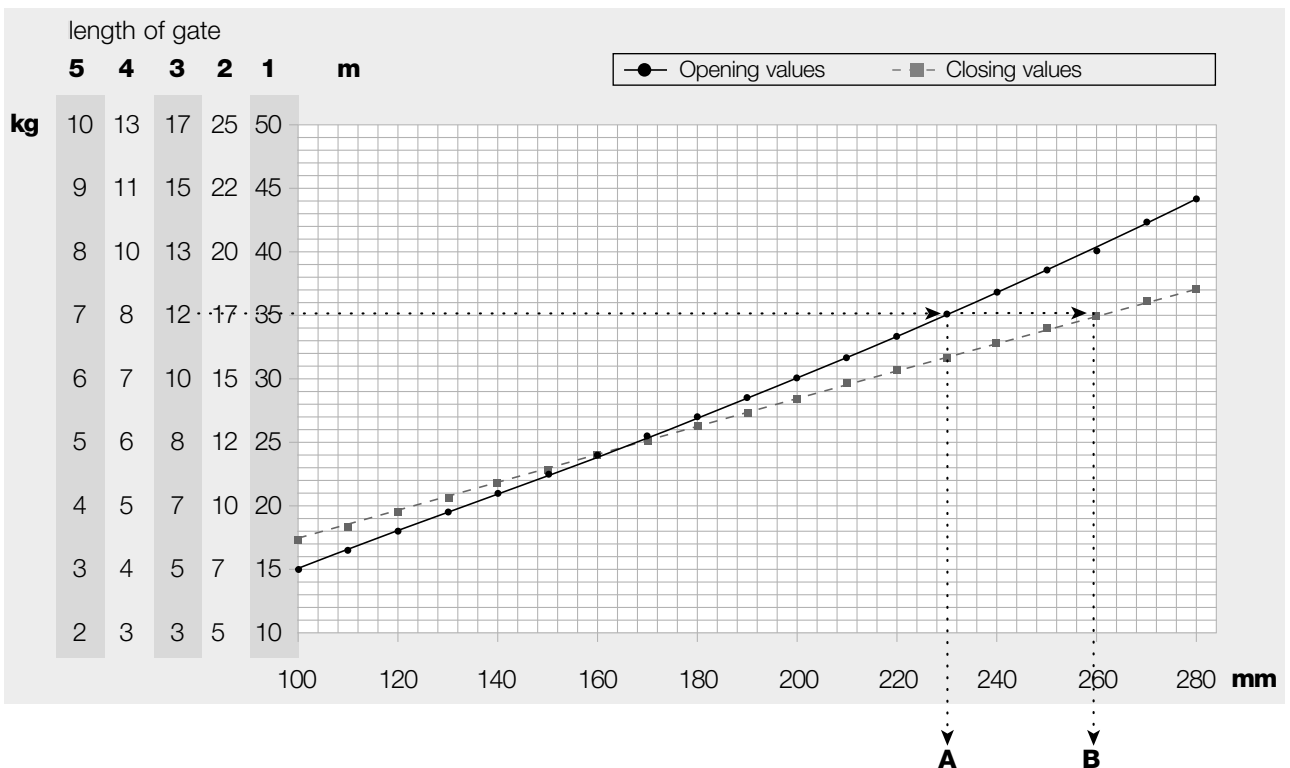


MB5015 - MB5024 - MB5615
opening limit switch



MB5016
opening and closing limit switch

4 The following graph is useful for establishing maximum thrust at the end of the gate according to the values of A and B



2.3.2) Fixing the front bracket

The front bracket (47) is fitted with its clamp to the gate according to the distances **D** and **E** (see tables); before fixing permanently:

1. Check that the closing line of the gear motor is perfectly horizontal (**fig.4**)
2. Open and close the gate by hand to check it moves smoothly.
3. Remove the gear motor and weld the front bracket (47)

Fixing the rear of the gear motor (fig.5)

Fix MOBY to the bracket (45) using the fork (46), screw (55), washer (59) and nut (61); completely tighten the latter and then unscrew it by about 1/10 of a turn to give a little play.

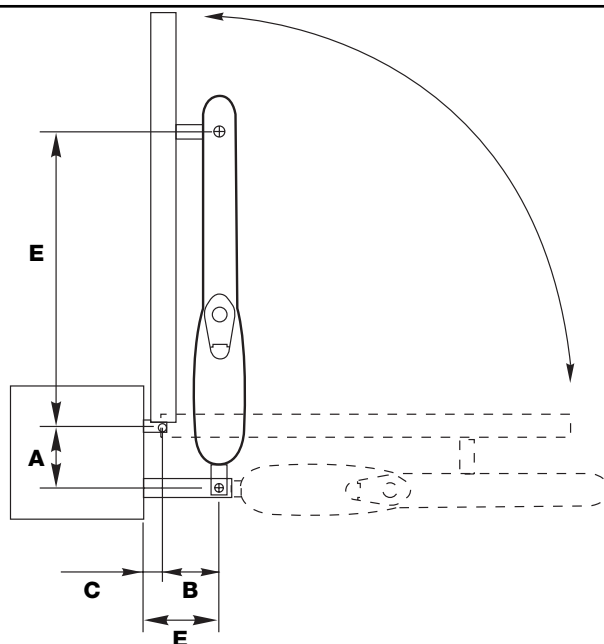
Fixing the front of the gear motor (fig.6)

Fit the front fork of MOBY (34) into the front bracket (47) and clamp with the screw (56) and washer (60).

	MB4005	MB4015	MB4024	MB4605	MB4615	MB4006	MB5015	MB5024	MB5615	MB5016
	D= 740mm					D= 710mm	D= 880mm			D= 850mm
A	MB4005	MB4015	MB4024	MB4605	MB4615	MB4006	MB5015	MB5024	MB5615	MB5016
100mm			E= 625mm			E= 595mm		E= 775mm		E= 745mm
110mm			E= 615mm			E= 585mm		E= 765mm		E= 735mm
120mm			E= 605mm			E= 575mm		E= 755mm		E= 725mm
130mm			E= 600mm			E= 570mm		E= 750mm		E= 720mm
140mm			E= 590mm			E= 560mm		E= 740mm		E= 710mm
150mm			E= 580mm			E= 550mm		E= 730mm		E= 700mm
160mm			E= 570mm			E= 540mm		E= 720mm		E= 690mm
170mm			E= 560mm			E= 530mm		E= 710mm		E= 680mm
180mm			E= 550mm			E= 520mm		E= 700mm		E= 670mm
190mm			E= 540mm			E= 510mm		E= 690mm		E= 660mm
200mm			E= 530mm			E= 500mm		E= 680mm		E= 650mm

2.3.3) Opening the gate outwards

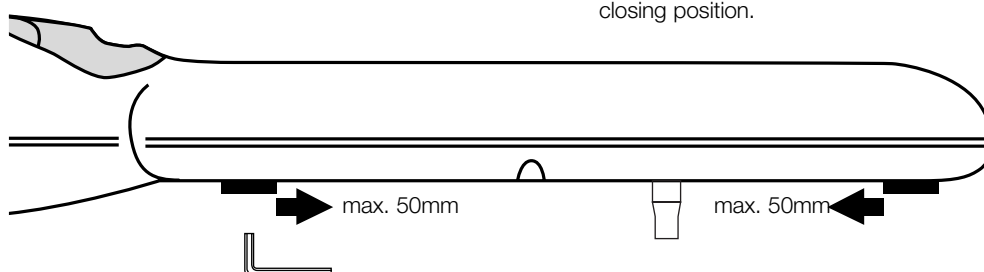
To ensure the gate moves correctly, it may sometimes be necessary to use a longer bracket (PLA6, optional) as shown in the figure.



2.4) Adjusting the limit switch

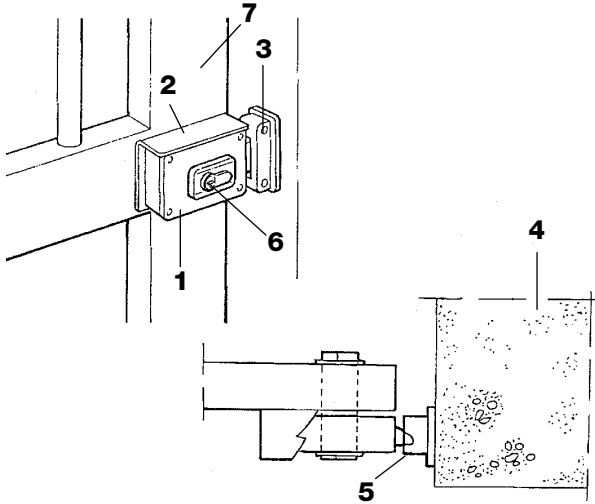
The limit switch allows the stop position of the gate to be adjusted, thereby eliminating the need for travel stops and preventing the gate from hitting them. Simultaneously, a microswitch disconnects power from the motor.

- A) Release the gear motor (see chapter 5)
- B) Loosen the screw (54)
- C) Open the gate to the required position
- D) Move the limit switch to the required position by turning the screw
- E) Tighten the screw (54)
- F) Models **MB4006** and **MB5016** also have a limit switch for the closing position.

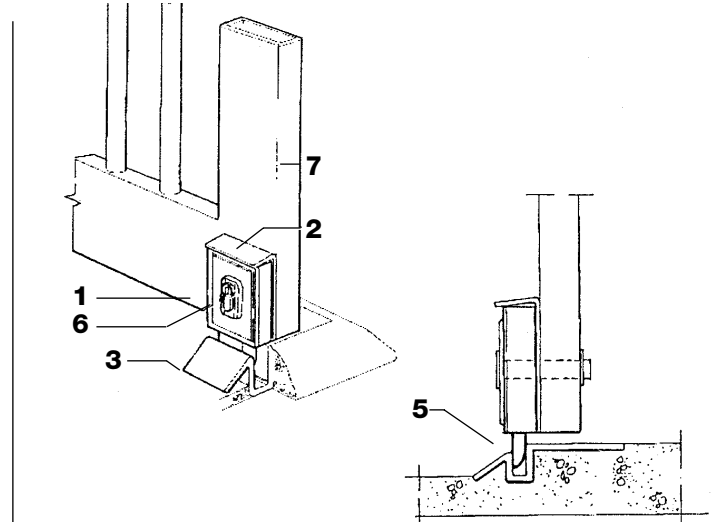


2.5) Mounting the electric lock (optional accessory)

- 1 Electric lock
- 2 Fixing plate for electric lock (specify if horizontal or vertical)
- 3 Lock bolt strike plate*
- 4 Strike plate stop
- 5 Lock bolt
- 6 Lock
- 7 Gate

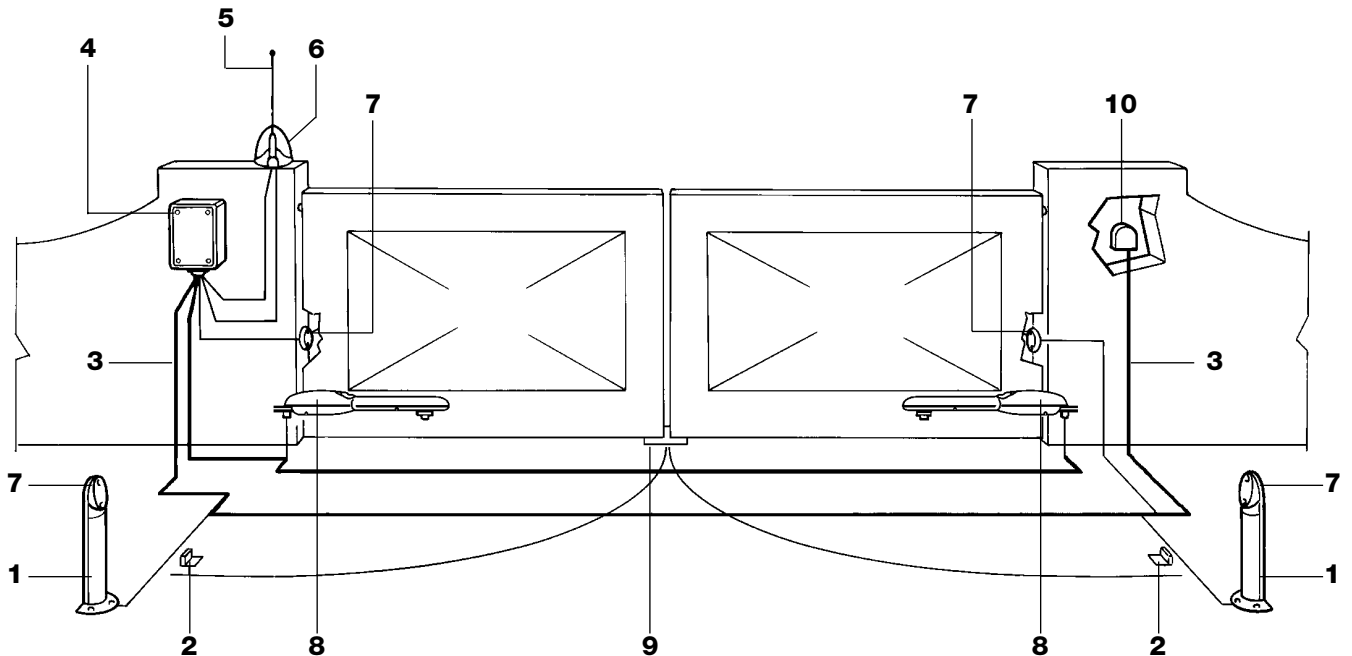


Horizontal assembly (for one leaf)



Vertical assembly (for two leaves)

2.6) Typical system layout



- 1 Column for photocells
- 2 Pair of opening travel stops
- 3 Mains power line
- 4 Control unit
- 5 Aerial
- 6 Flashing lamp
- 7 Photocell
- 8 Moby actuator
- 9 Vertical electric lock*
- 10 Key switch or digital keypad

*to install if the reversible models MB4605 and MB4615 are used or if the gate exceeds a length of 3 m for each leaf.

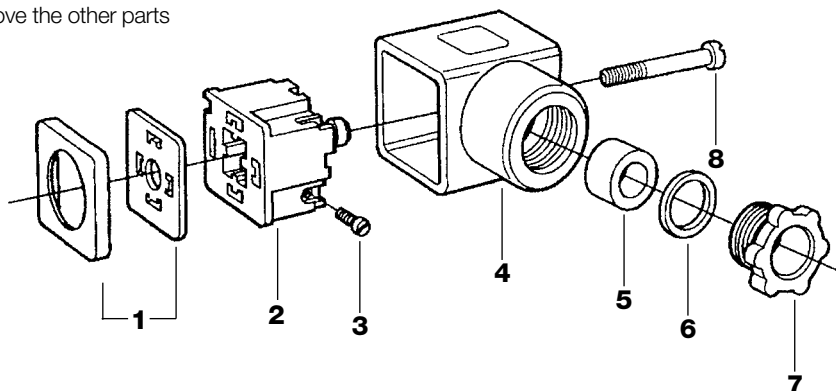
2.7) Electrical connections:

Connecting the connector

The connector is supplied assembled and is located in the lower part of the gear motor (see item 48 of the spare parts list inside the cover). This is used to connect the electrical control unit.

Remove the screw (8) and use a screwdriver to remove the other parts (as shown in the figure), including the screws (3).

- 1 Seals
- 2 Contact carriers
- 3 Clamping screw
- 4 Protection
- 5 Cable holder
- 6 Washer
- 7 Cable clamp
- 8 Fixing screw

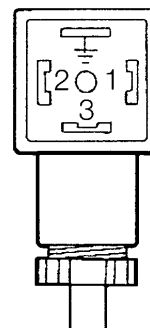


N.B.: the connector protects to IP65 DIN 40050 only if it is correctly mounted as shown in the figure.

Motor connections for models: MB4005 - MB4006 - MB4015 - MB4605 MB4615 - MB5015 - MB5016 - MB5615

Connect the cable wires to the "contact carriers 2" following the indications shown in the figure..

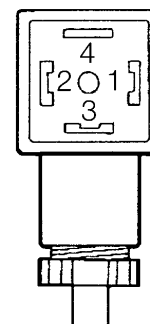
- 1 = open
- 2 = close
- 3 = Common
- ⊕ = Earth



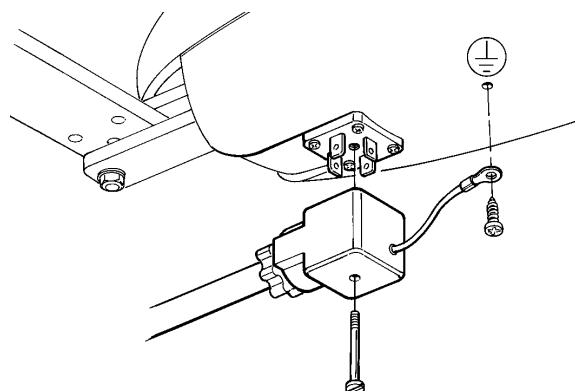
Motor connections for models: MB4024 - MB5024

Connect the cable wires to the "contact carriers 2" following the indications shown in the figure.

- 1 = Motor +
- 2 = Motor -
- 3 = Encoder +
- 4 = Encoder -



⚠ Always remember to connect the earth cable according to current standards (EN 60204 - IEC 64-1 - EN 60335) as shown in the figure.



3) Manual manoeuvre or release

Manual manoeuvre for models:

**MB4005 - MB4006 - MB4015 - MB4024 - MB5015
MB5016 - MB5024**

The gate must be moved manually (**fig. 3**) in case of a power failure or a system fault.

Manual movement allows the gear motor to move freely only if this is correctly mounted and original accessories have been used.

Manual manoeuvre for reversible models:

MB4605 - MB4615 - MB5615

In these models it is unnecessary to release the gear motor to open the gate manually (make sure the electric lock is released): just push hard on the end of the gate.

4) Testing

The whole system must be tested by qualified and expert staff who must perform the tests required, according to the relative risk.

To test MOBY, proceed as follows:

- close the gate;
- disconnect the power supply from the control unit;
- release the gear motor;
- completely open the gate by hand;
- check that the gate does not stick when moving;
- check that when the gate is stopped at any point it remains motionless;
- check that the safety system and mechanical stops are in good condition;
- check that the screw connections are perfectly tight;
- check that the lead nut and internally threaded screw are well greased;
- check that the photocells are clean;
- after the above checks, block the gear motor and power the control unit.
- MOBY does not have any torque adjustment devices; this kind of adjustment is therefore made by the control unit.
- measure the force of impact as required by EN12453 and EN12445 standards

5) Maintenance

MOBY does not require any special maintenance, but a scheduled control at least every six months will ensure the gear motor lasts longer and that the system works correctly and safely.

Maintenance simply involves repeating the test procedure.

5.1) Disposal

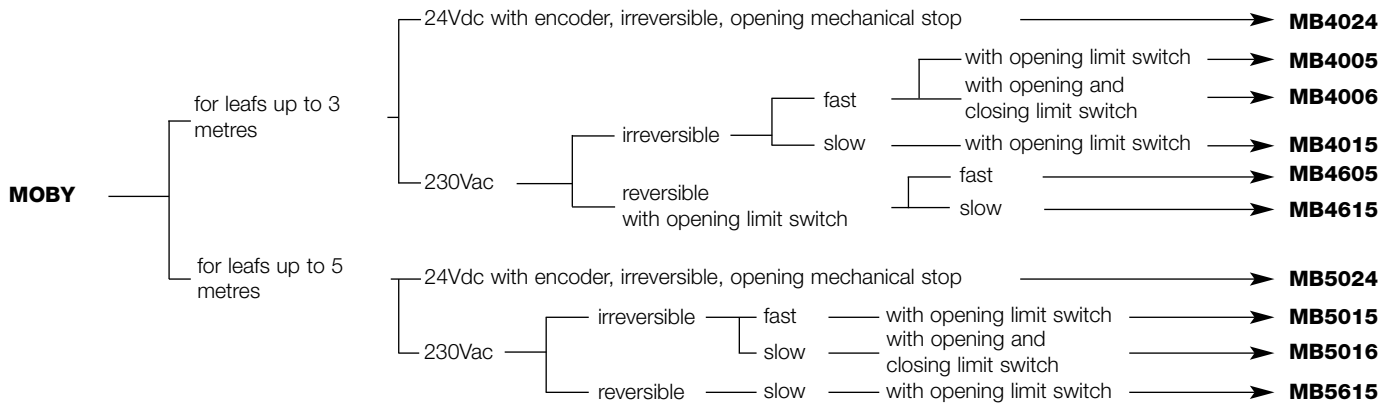
MOBY comprises various types of materials which must be disposed of in compliance with the laws of the country of installation. There are no particular dangers or risks deriving from demolition of the system.

If waste sorting is required, the components should be grouped by type of material (electrical, aluminium, plastic, etc.).

6) Technical specifications

		MB4005	MB4015	MB4605	MB4615	MB4006	MB5015	MB5016	MB5615	MB4024	MB5024
Power input (Vac 50Hz)		230									
	(Vdc)										24
Current (A)		1.1		1.3		1.1		1.3		5	
Absorbed power (W)		230		300		230		300		120	
Condenser incorp. (uF)		7									
Protection level (IP)		44									
Speed (m/s)		0,016	0,013	0,019	0,016		0,013		0,016		
Travel (Y) (mm)		310			270	470	430	470	310	470	
Max. thrust (N)		2000									
Operating temp. (°C Min/Max)		-20 ÷ +50									
Thermal protection (°C)		140									
Work cycles (%)		30									80
Weight (kg)		6					7		6	7	

6.1) Models and characteristics



gear motor
for swing gates



GB



moby

Instructions and warnings for users of the MOBY gear motor

Congratulations on choosing a Nice product for your automation system!

Nice S.p.A. produces components for automating gates, doors, shutters and awnings: gear motors, control units, radio control units, flashing lights, photocells and accessories.

Nice only uses first rate materials and production processes and constantly develops innovative technical, aesthetic and ergonomic solutions in order to make its products as simple to use as possible: your fitter will certainly have chosen the most suitable article for your requirements from the large range of Nice products.

Nice however, is not the producer of your automated system as this is the result of a process of analysis, evaluation, choice of materials and installation performed by your fitter.

Each automated system is unique and only your fitter has the experience and professionalism required to create a system that is tailor-made to your requirements, featuring long-term safety and reliability, and, above all, professionally installed and compliant with current regulations.

An automated system is handy to have as well as being a valid security system. Just a few, simple operations are required to ensure it lasts for years.

Even if your automated system satisfies regulatory safety levels, this does not eliminate "residue risks", that is, the possibility of dangerous situations being generated, usually due to irresponsible or incorrect use. For this reason we would like to give you some suggestions on how to avoid these risks:

- **Before using your automated system for the first time**, ask your fitter to explain how residue risks can arise and spend a few minutes reading the **instructions and warnings for the user** handbook that the fitter will have given you. Keep this manual for future use and, if you should ever sell your automated system, hand it over to the new owner.
- **Your automated system is a machine which carries out your commands to the letter**; irresponsible or incorrect use may cause it to become dangerous: do not move the automated system if animals or objects are in its working radius.

COMPANY
WITH QUALITY SYSTEM
CERTIFIED BY DNV
=ISO 9001/2000=

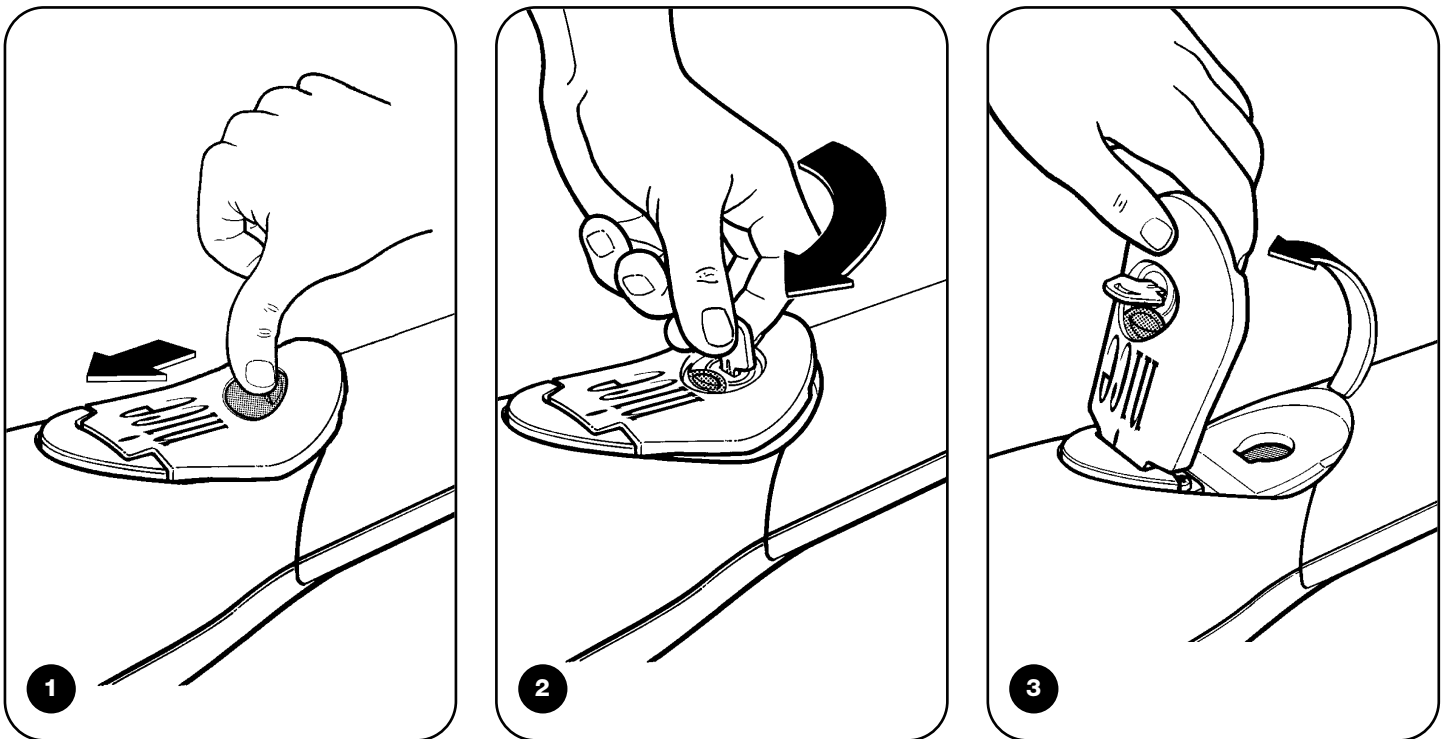


Nice

- **Children:** an automated system ensures a high level of safety as it always offers reliable and safe operation and its detection systems stop it from moving in the presence of people or objects. However, children should not be allowed to play near it. Do not let them accidentally use the system by leaving the remote control unit within their reach: **it is not a toy!**
- **Faults.** If you notice any abnormal behaviour, disconnect the system from the electricity supply immediately and perform the manual release operation. Do not attempt to make repairs yourself but call in your fitter: in the meantime the system can work as a non-automated gate once the gear motor has been released as described further on.
- **Maintenance.** Just like all machines, your automated system requires periodic maintenance to ensure it works as long as possible and in total safety. Agree on a routine maintenance plan with your fitter; Nice recommends a visit once every six months for normal residential use but this period can vary depending on how often the system is used.
All controls, maintenance work or repairs may only be carried out by qualified personnel.
- Do not modify the system or its programming and adjustment parameters even if you think you can do it: your fitter is responsible for this.
- Final testing, routine maintenance and any repairs must be

documented by the fitter and such documents kept by the owner of the system.

- **Disposal.** At the end of the life of the automatic system, make sure that it is demolished by qualified personnel and that the materials are recycled or disposed of according to local regulations.
- **In case of breakage** or during a power failure. While waiting for your fitter to call (or power to come on again if the system does not have buffer batteries), the system can be used just like any other manual opening system. To do this, perform the manual release operation: this can be done by the user and Nice has made it as easy as possible, without the need for tools or physical effort.



1. Push back the protective membrane as shown in **fig. 1**
2. insert the key and turn it anti-clockwise as shown in **fig. 2**
3. Pull up the handle in the direction of the arrow until it reaches the point shown in **fig. 3**
4. Move the leaf to its maximum opening or closing point
5. Carry out the above operations backwards when locking the system

Important: if the radio control unit (if supplied) starts working badly after a time, or does not work at all, the batteries may be flat (They can last from several months to two/three years depending on the type). You can notice this from the fact that the transmission OK LED is faint, doesn't light up at all, or lights up for just a moment. Before contacting your fitter, try exchanging the battery with that of another transmitter you know that works: if this is the reason for the fault, just replace the battery with another one of the same kind.

Are you satisfied? If you wish to add a new automated system to your house, contact your fitter and we at Nice will provide the advice of a specialist, the most developed products on the market, leading-edge operativeness and maximum compatibility.

Thank you for reading these suggestions and we trust you are fully satisfied with your new system: please contact your fitter for all your current or future requirements.

moboy

Indice:	pag.		pag.		
1	Descrizione del prodotto	14	3	Manovra manuale o sblocco	20
2	Installazione	14	4	Collaudo	20
2.1	Verifiche preliminari	14	5	Manutenzione	20
2.2	Limiti d'impiego	14	5.1	Smaltimento	20
2.3	Fissaggio	15	6	Caratteristiche tecniche	21
2.3.1	Posizionamento della staffa posteriore	15	6.1	Modelli e caratteristiche	21
2.3.2	Posizionamento della staffa anteriore	17		Istruzioni ed avvertenze destinate all'utilizzatore del motoriduttore MOBY	23
2.3.3	Apertura del cancello verso l'esterno	17			
2.4	Regolazione finecorsa	17			
2.5	Montaggio elettroserratura (articolo opzionale)	18			
2.6	Impianto tipico	18			
2.7	Collegamenti elettrici	19			

Avvertenze importanti

Nice si congratula per la scelta di questo prodotto e vi invita a leggere con molta attenzione queste pagine.

Per rendere più semplice l'uso di queste istruzioni si è cercato, per quanto possibile, di impaginarle rispettando l'ordine con cui devono essere eseguite le varie fasi dell'installazione dell'impianto.

È necessario leggere attentamente le istruzioni e il fascicolo allegato "Avvertenze per l'installatore" prima di procedere all'installazione, in quanto forniscono importanti indicazioni riguardanti la sicurezza, l'installazione, l'uso e la manutenzione.

Tutto quello che non è espressamente previsto in queste istruzioni non è permesso. Infatti usi non indicati nelle istruzioni potrebbero essere fonte di danni al prodotto e mettere in pericolo persone e cose.

Nice declina qualsiasi responsabilità dall'inosservanza della buona tecnica nella costruzione dei cancelli, nonché dalle deformazioni che potrebbero verificarsi durante l'uso.

Non installare il prodotto in atmosfera esplosiva.

1) Descrizione del prodotto

MOBY è un motoriduttore elettromeccanico per l'automazione di cancelli ad una o due ante per uso residenziale.

Si consiglia l'utilizzo di una centrale NICE per un corretto funzionamento del motoriduttore.

Lo sblocco permette di aprire manualmente il cancello.

2) Installazione

2.1) Verifiche preliminari

Prima di procedere all'installazione è necessario verificare che la struttura sia idonea, in altre parole sia conforme alle norme vigenti ed in particolare verificare che:

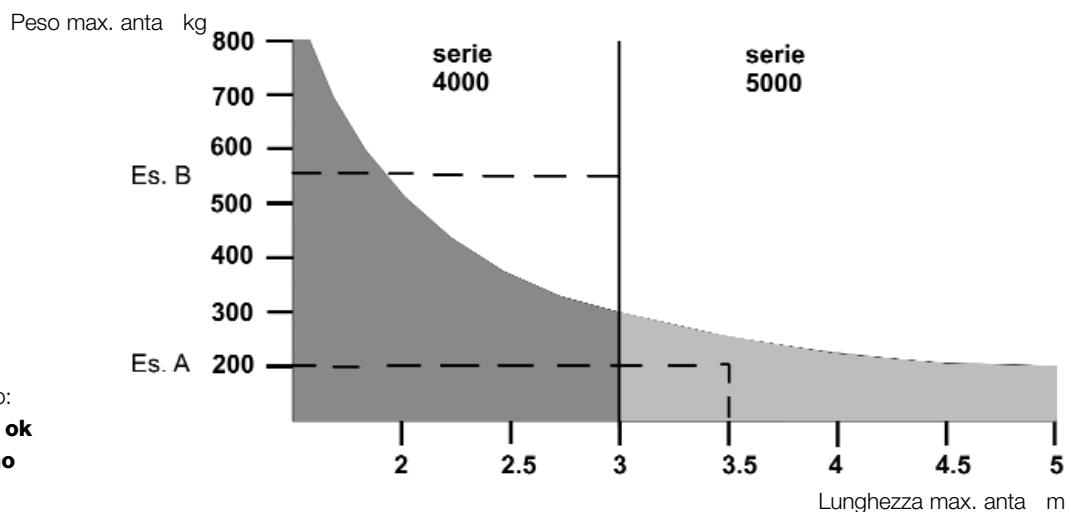
- il cancello non presenti punti d'attrito sia in chiusura sia in apertura;
- il cancello sia ben bilanciato, ossia, se fermato in una qualsiasi posizione non accenni a riprendere il moto;
- il cancello, nella sua corsa, sia silenzioso e regolare;
- la zona individuata per il fissaggio del motoriduttore consenta una manovra manuale facile e sicura.
- la confezione sia integra, facendo riferimento alla **fig. 1**;
- verificare che la zona di fissaggio sia compatibile con l'ingombro del motoriduttore (**fig. 2**), tenendo presente che l'apertura del cancello e la forza che il motore esercita su di esso sono dipendenti dal punto di fissaggio della staffa posteriore. Perciò prima di procedere all'installazione è necessario leggere il paragrafo 2.3 "Fissaggio", per assicurarsi che il cancello abbia angolo di apertura e forza soddisfacenti le esigenze richieste.

⚠ Si ricorda che MOBY motorizza un cancello (ad una o due ante) di per sé efficiente e sicuro e non sopprime a difetti causati da una sbagliata installazione, o da una cattiva manutenzione.

2.2) Limiti d'impiego



La forma, l'altezza del cancello (es. cieco) e le condizioni climatiche (es. vento forte) possono ridurre anche notevolmente i valori riportati nel grafico a lato.

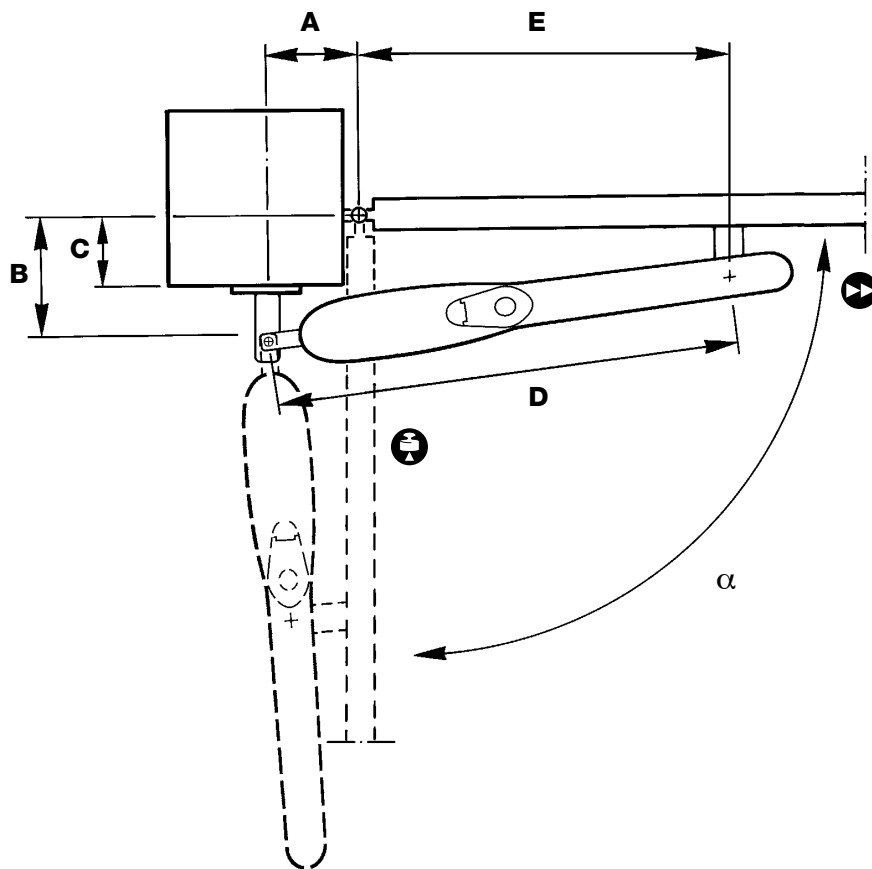
Si sconsigliano i modelli 24Vdc in zone ventose.



2.3) Fissaggio

Per il corretto montaggio sono da verifi

- 1) Ingombro colonna **C**
- 2) Angolo di manovra α
- 3) Velocità 
- 4) Forza 



2.3.1) Posizionamento della staffa posteriore:

Le operazioni da eseguire sono:

- 1.1** Misurare sul posto il valore di C (nell'esempio: 70mm).
- 1.2** Individuare nel grafico relativo al modello di MOBY da installare il valore di C e tracciare una linea orizzontale (**fig. 8**).
- 1.3** Individuare il valore di "B minimo" dal grafico con la linea dritta appena tracciata (nell'esempio: 130mm **fig. 9**), l'area al di sopra di tale linea contiene i punti validi per lo staffaggio.
- 2** Esiste una relazione tra l'angolo di manovra che può eseguire il cancello e le posizioni di staffaggio (A e B) come evidenziano i grafici relativi ad ogni prodotto dove aree di colore differenti rappresentano gli angoli massimi consentiti.

Se, per esempio (**fig. 9**), si vuole aprire il cancello di $100^\circ \div 110^\circ$, A e B debbono individuare un punto sul grafico appartenente all'area del colore corrispondente.

- 3** All'interno dell'area individuata, ricordiamo che la forza impressa al cancello, ed il tempo di apertura e chiusura, sono direttamente proporzionali ai valori di A e B e che per un funzionamento lineare, tali valori dovranno essere simili fra loro, quindi seguire la linea di installazione consigliata.

Esempio

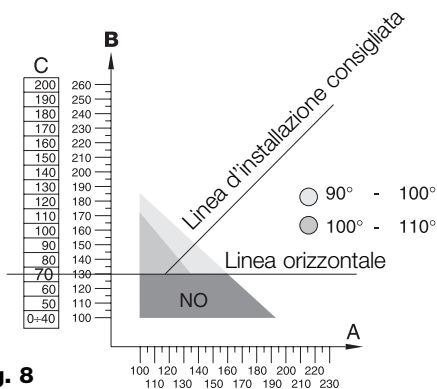


Fig. 8

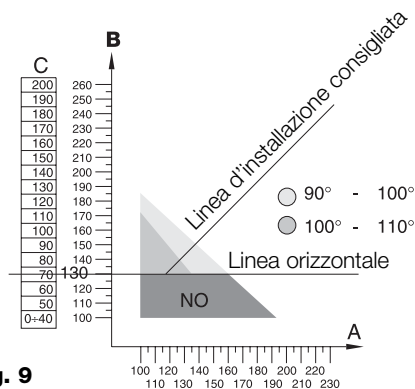
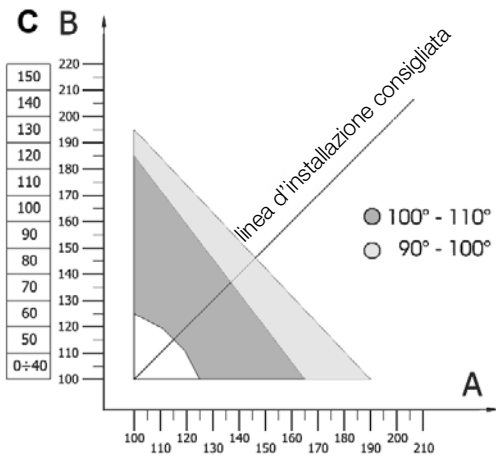
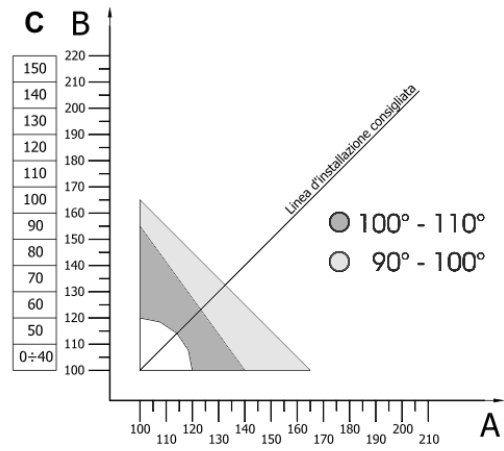


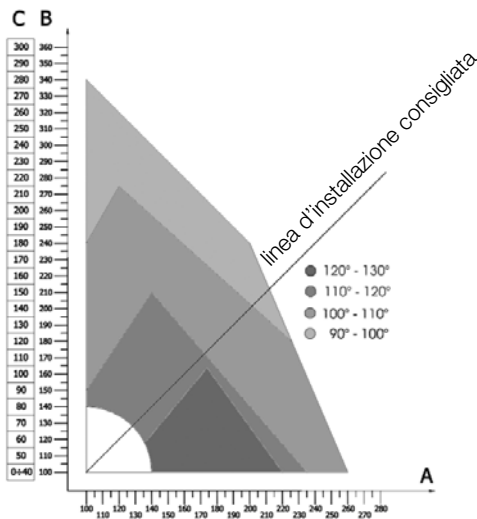
Fig. 9



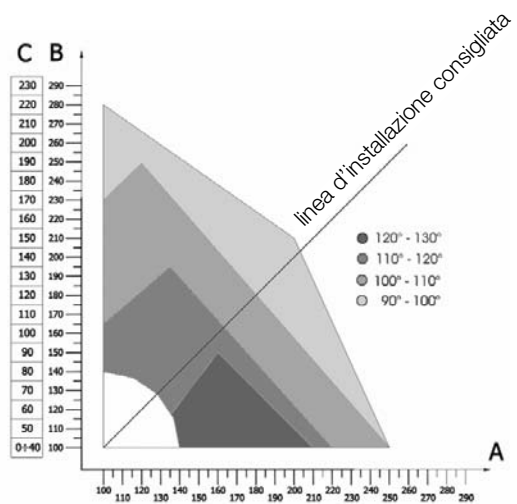
MB4005 - MB4015 - MB4024 - MB4605 - MB4615
fincorsa in apertura



MB4006
fincorsa in apertura e chiusura

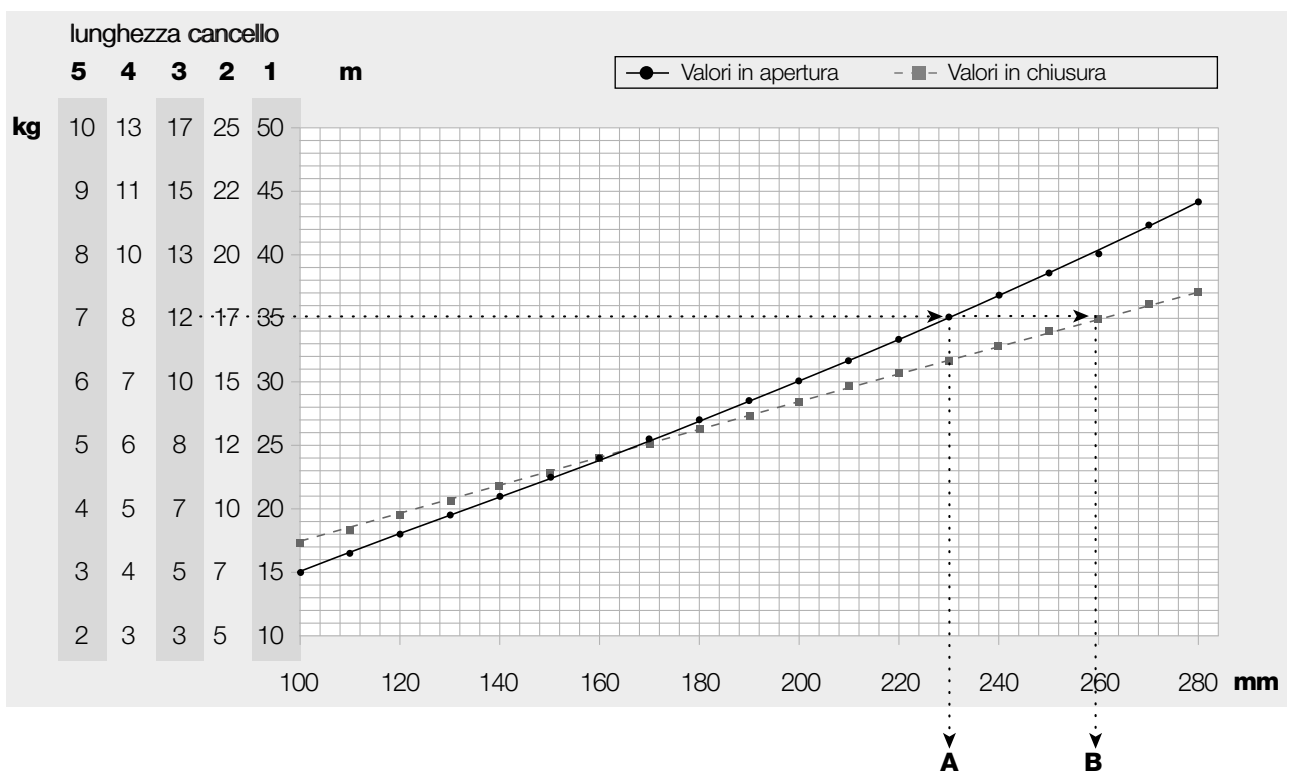


MB5015 - MB5024 - MB5615
fincorsa in apertura



MB5016
fincorsa in apertura e chiusura

4 Il grafico di seguito è utile per stabilire la forza massima all'estremità del cancello in funzione dei valori di A e B



2.3.2) Posizionamento della staffa anteriore

La staffa anteriore (47) va posizionata con apposito morsetto al cancello rispettando la quota **D** e la quota **E** (vedi tabella); prima di procedere al fissaggio definitivo:

1. Verificare che la linea di chiusura del motoriduttore sia perfettamente orizzontale (**fig. 4**)
2. Aprire e chiudere il cancello manualmente per verificare che il movimento sia regolare.
3. Levare il motoriduttore e saldare la staffa anteriore (47)

Fissaggio posteriore motoriduttore (fig. 5)

Fissare MOBY alla staffa (45) tramite la forcella (46) con la vite (55), la rondella (59) ed il dado (61); avvitare completamente quest'ultimo, quindi svtarlo di circa 1/10 di giro per permettere un certo gioco tra le parti.

Fissaggio anteriore motoriduttore (fig. 6)

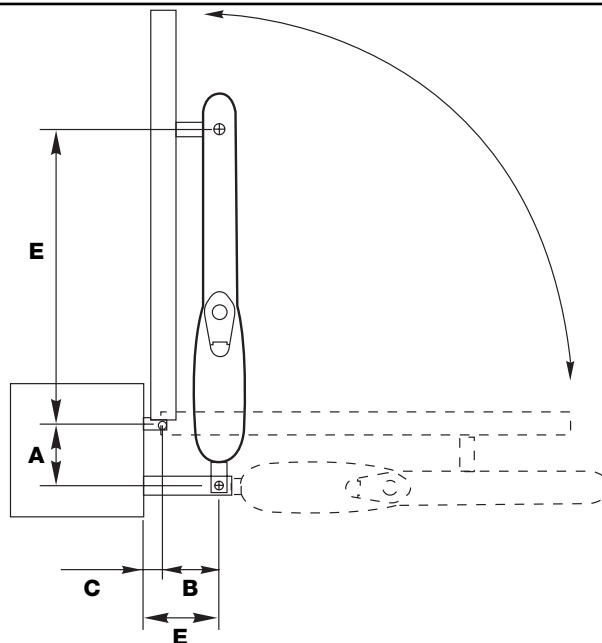
Inserire la forcella anteriore di MOBY (34) nella staffa anteriore (47) bloccandolo con la vite (56) e la rondella (60).

MB4005	MB4015	MB4024	MB4605	MB4615	MB4006	MB5015	MB5024	MB5615	MB5016
D= 740mm					D= 710mm		D= 880mm		D= 850mm

A	MB4005	MB4015	MB4024	MB4605	MB4615	MB4006	MB5015	MB5024	MB5615	MB5016
100mm			E= 625mm			E= 595mm		E= 775mm		E= 745mm
110mm			E= 615mm			E= 585mm		E= 765mm		E= 735mm
120mm			E= 605mm			E= 575mm		E= 755mm		E= 725mm
130mm			E= 600mm			E= 570mm		E= 750mm		E= 720mm
140mm			E= 590mm			E= 560mm		E= 740mm		E= 710mm
150mm			E= 580mm			E= 550mm		E= 730mm		E= 700mm
160mm			E= 570mm			E= 540mm		E= 720mm		E= 690mm
170mm			E= 560mm			E= 530mm		E= 710mm		E= 680mm
180mm			E= 550mm			E= 520mm		E= 700mm		E= 670mm
190mm			E= 540mm			E= 510mm		E= 690mm		E= 660mm
200mm			E= 530mm			E= 500mm		E= 680mm		E= 650mm

2.3.3) Apertura cancello verso l'esterno

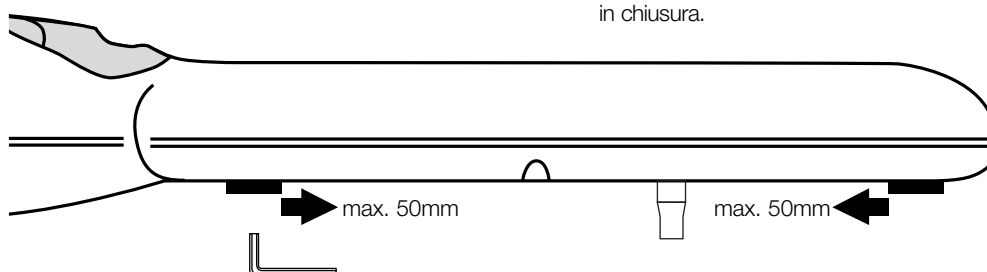
Per consentire un movimento corretto talvolta potrebbe rendersi necessario utilizzare una staffa più lunga (PLA6, opzionale) come rappresentato in figura.



2.4) Regolazione finecorsa

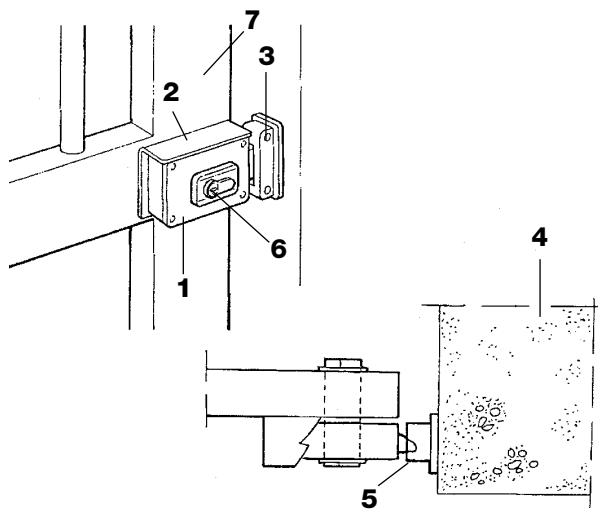
Il finecorsa permette di regolare la posizione di arresto del cancello evitando così di dover usare i franchi di arresto e di fare sbattere il cancello sugli stessi. Contemporaneamente un microinterruttore toglie alimentazione al motore.

- A) Sbloccare il motoriduttore (vedi capitolo 5)
- B) Allentare la vite (54)
- C) Aprire il cancello fino alla posizione desiderata
- D) Regolare quindi la posizione del blocco di finecorsa fino a portarlo al punto desiderato agendo sulla vite stessa
- E) Bloccare la vite (54)
- F) I modelli **MB4006** e **MB5016** hanno il finecorsa anche in chiusura.

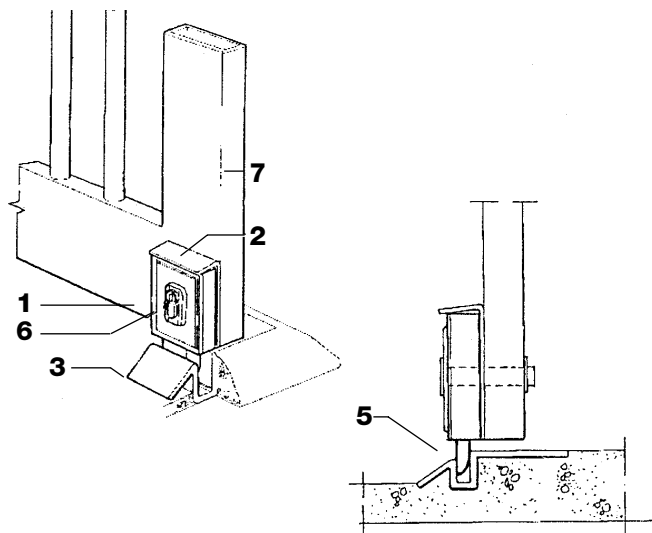


2.5) Montaggio elettroserratura (articolo opzionale)

- 1 Elettroserratura
- 2 Piastra di fissaggio elettroserratura
(specificare se orizzontale o verticale)
- 3 Aggancio chiavistello*
- 4 Battuta per aggancio
- 5 Chiavistello
- 6 Barilotto passante
- 7 Cancelli

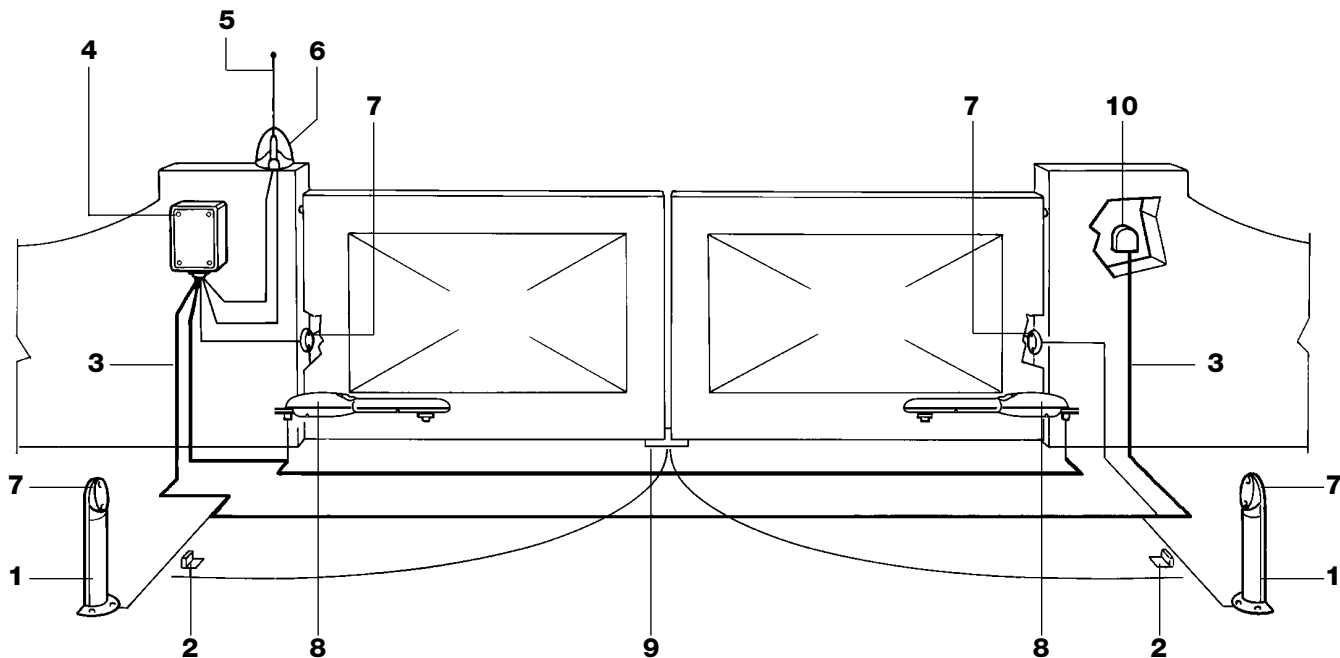


Fissaggio orizzontale (per una anta)



Fissaggio verticale (per due ante)

2.6) Impianto tipico



- 1 Colonnina per fotocellule
- 2 Coppia di arresti in apertura
- 3 Linea elettrica di alimentazione
- 4 Centrale di comando
- 5 Antenna
- 6 Lampeggiante
- 7 Fotocellula
- 8 Attuatore Moby
- 9 Elettroserratura verticale*
- 10 Selettore a chiave o tastiera digitale

*da installare se si utilizzano i modelli reversibili MB4605 e MB4615,
o qualora il cancello superi i 3m di lunghezza per ogni singola anta.

2.7) Collegamenti elettrici:

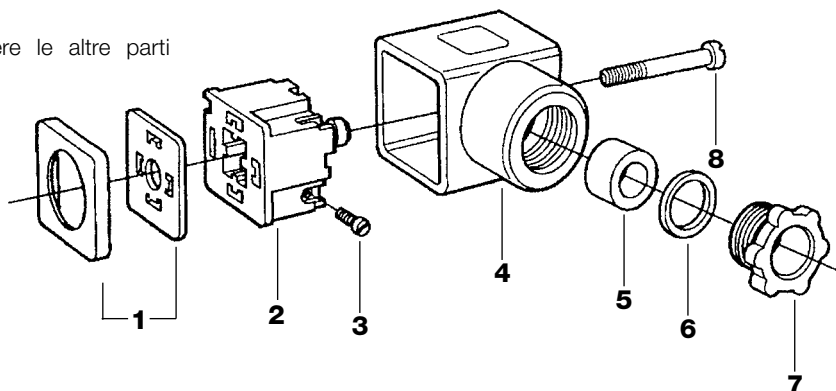
Collegamento al connettore

Il connettore è fornito già montato, e si trova nella parte inferiore del motoriduttore (vedi particolare 48 del quadro ricambi all'interno della copertina).

Serve per il collegamento alla centrale elettrica.

Svitare la vite (8) e con un cacciavite togliere le altre parti (come indicato in figura) comprese le viti (3).

- 1 Guarnizioni
- 2 Portacontatti
- 3 Vite serrafilo
- 4 Protezione
- 5 Pressacavo
- 6 Rondella
- 7 Serracavo
- 8 Vite di fissaggio

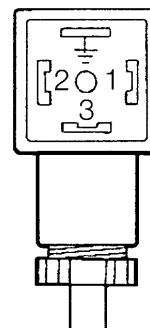


Nota: il connettore garantisce una protezione IP65 DIN 40050 solo se montato correttamente, come rappresentato in figura.

Collegamenti del motore per i modelli: MB4005 - MB4006 - MB4015 - MB4605 MB4615 - MB5015 - MB5016 - MB5615

Collegare i fili del cavo nel "portacontatti 2" seguendo le indicazioni riportate in figura.

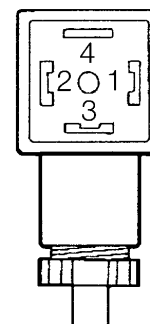
- 1 = apre
- 2 = chiude
- 3 = Comune
- ⊥ = Terra



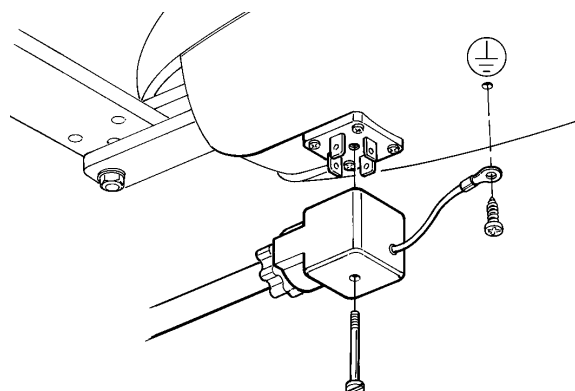
Collegamenti del motore per i modelli: MB4024 - MB5024

Collegare i fili del cavo nel "portacontatti 2" seguendo le indicazioni riportate in figura.

- 1 = Motore +
- 2 = Motore -
- 3 = Encoder +
- 4 = Encoder -



⚠ Si ricorda di collegare sempre il cavo di terra come previsto dalle normative vigenti (EN60204 - CEI64-1 - EN60335) come rappresentato in figura.



3) Manovra manuale o sblocco

Manovra manuale per i modelli:

**MB4005 - MB4006 - MB4015 - MB4024 - MB5015
MB5016 - MB5024**

L'operazione manuale (**fig. 3**) si deve eseguire nel caso di mancanza di corrente o in caso di anomalie dell'impianto.

La manovra manuale consente una corsa libera del motoriduttore solo se montato correttamente e con gli accessori originali.

Manovra manuale per i modelli reversibili:

MB4605 - MB4615 - MB5615

In questi modelli non è necessario sbloccare il motoriduttore per aprire il cancello manualmente (accertarsi però che l'elettroserratura sia sbloccata): è sufficiente spingere con una certa forza il cancello alla sua estremità.

4) Collaudo

Il collaudo dell'intero impianto deve essere eseguito da personale esperto e qualificato che deve farsi carico delle prove richieste, in funzione del rischio presente.

Per il collaudo MOBY seguire questa procedura:

- chiudere il cancello;
- togliere alimentazione alla centrale;
- sbloccare il motoriduttore;
- aprire manualmente il cancello per tutta la sua corsa;
- verificare che il cancello durante il moto non subisca punti d'attrito;
- verificare che il cancello fermato in qualsiasi punto e sbloccato, non accenni a muoversi;
- verificare che i sistemi di sicurezza e gli arresti meccanici siano in buono stato;
- verificare che i collegamenti a vite siano ben stretti;
- verificare che la chiocciola e la vite rullata siano bene ingrassate;
- verificare la pulizia delle fotocellule;
- terminate le verifiche ribloccare il motoriduttore e rialimentare la centrale.
- MOBY è sprovvisto di dispositivi di regolazione di coppia, pertanto tale regolazione è affidata alla centrale di comando.
- misurare la forza d'impatto come previsto dalla normativa EN12453 ed EN12445.

5) Manutenzione

La manutenzione di MOBY non necessita di accorgimenti particolari, ma un controllo programmato almeno ogni sei mesi permette di ottenere una maggiore durata del motoriduttore ed un corretto e sicuro funzionamento del sistema.

La manutenzione consiste semplicemente nel ripetere la procedura di collaudo.

5.1) Smaltimento

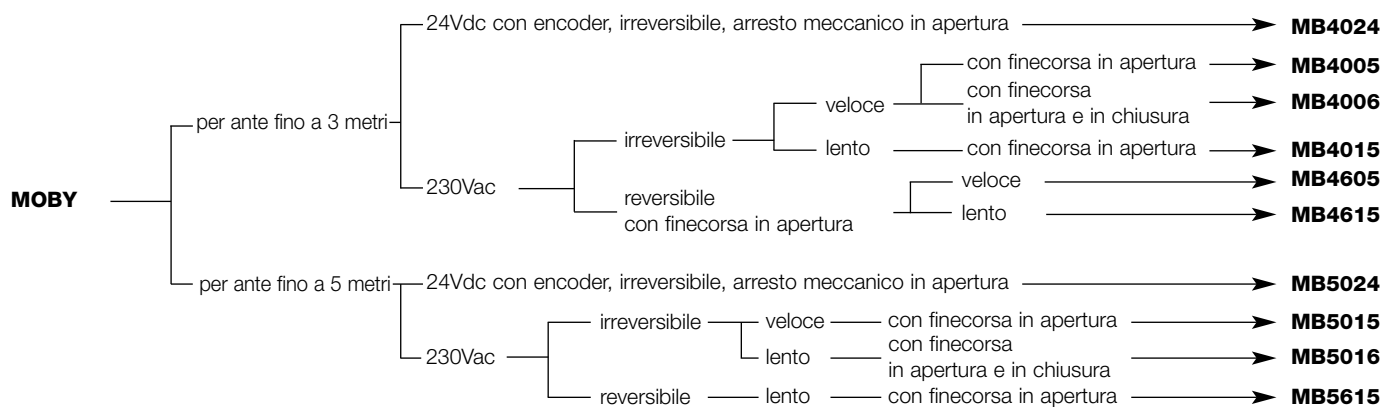
MOBY è costituito da varie tipologie di materiali e l'eliminazione di questi va effettuata rispettando le norme vigenti nei singoli Paesi. Nel caso di demolizione dell'automatismo non esistono particolari pericoli o rischi derivati dall'automazione stessa.

E' opportuno, in caso si debba effettuare una raccolta differenziata, che i materiali vengano separati per tipologia (parti elettriche, alluminio, plastica, ecc.).

6) Caratteristiche tecniche

		MB4005	MB4015	MB4605	MB4615	MB4006	MB5015	MB5016	MB5615	MB4024	MB5024
Alimentazione (Vac 50Hz)		230									
	(Vdc)										24
Corrente (A)		1.1		1.3		1.1		1.3		5	
Potenza assorbita (W)		230		300		230		300		120	
Condensatore incorp. (uF)		7									
Grado di protezione (IP)		44									
Velocità (m/s)		0,016	0,013	0,019	0,016		0,013		0,016		
Corsa (Y) (mm)		310			270	470	430	470	310	470	
Spinta max. (N)		2000									
Temp. di esercizio (°C Min/Max)		-20 ÷ +50									
Termoprotezione (°C)		140									
Cicli di lavoro (%)		30									
Peso (kg)		6			7			6		7	

6.1) Modelli e caratteristiche



**motoriduttore
per cancelli a battente**



moby

Istruzioni ed avvertenze destinate all'utilizzatore del motoriduttore MOBY

Complimenti per aver scelto per la vostra automazione un prodotto Nice!

Nice S.p.A. produce componenti per l'automazione di cancelli, porte, tapparelle e tende da sole: motoriduttori, centrali di comando, radiocomandi, lampeggianti, fotocellule e accessori.

Nice utilizza solo materiali e lavorazioni di qualità, e per vocazione ricerca soluzioni innovative che semplifichino al massimo l'utilizzo delle sue apparecchiature, curate nelle soluzioni tecniche, estetiche, ergonomiche: nella grande gamma Nice il vostro installatore avrà senz'altro scelto il prodotto più adatto alle vostre esigenze.

Nice non è però il produttore della vostra automazione, che è invece il risultato di un'opera di analisi, valutazione, scelta dei materiali, e realizzazione dell'impianto eseguita dal vostro installatore di fiducia.

Ogni automazione è unica e solo il vostro installatore possiede l'esperienza e la professionalità necessarie ad eseguire un impianto secondo le vostre esigenze, sicuro ed affidabile nel tempo, e soprattutto a regola d'arte, rispondente cioè alle normative in vigore.

Un impianto di automazione è una bella comodità, oltre che un valido sistema di sicurezza e, con poche, semplici attenzioni, è destinato a durare negli anni.

Anche se l'automazione in vostro possesso soddisfa il livello di sicurezza richiesto dalle normative, questo non esclude l'esistenza di un "rischio residuo", cioè la possibilità che si possano generare situazioni di pericolo, solitamente dovute ad un utilizzo incosciente o addirittura errato, per questo motivo desideriamo darvi alcuni consigli sui comportamenti da seguire per evitare ogni inconveniente:

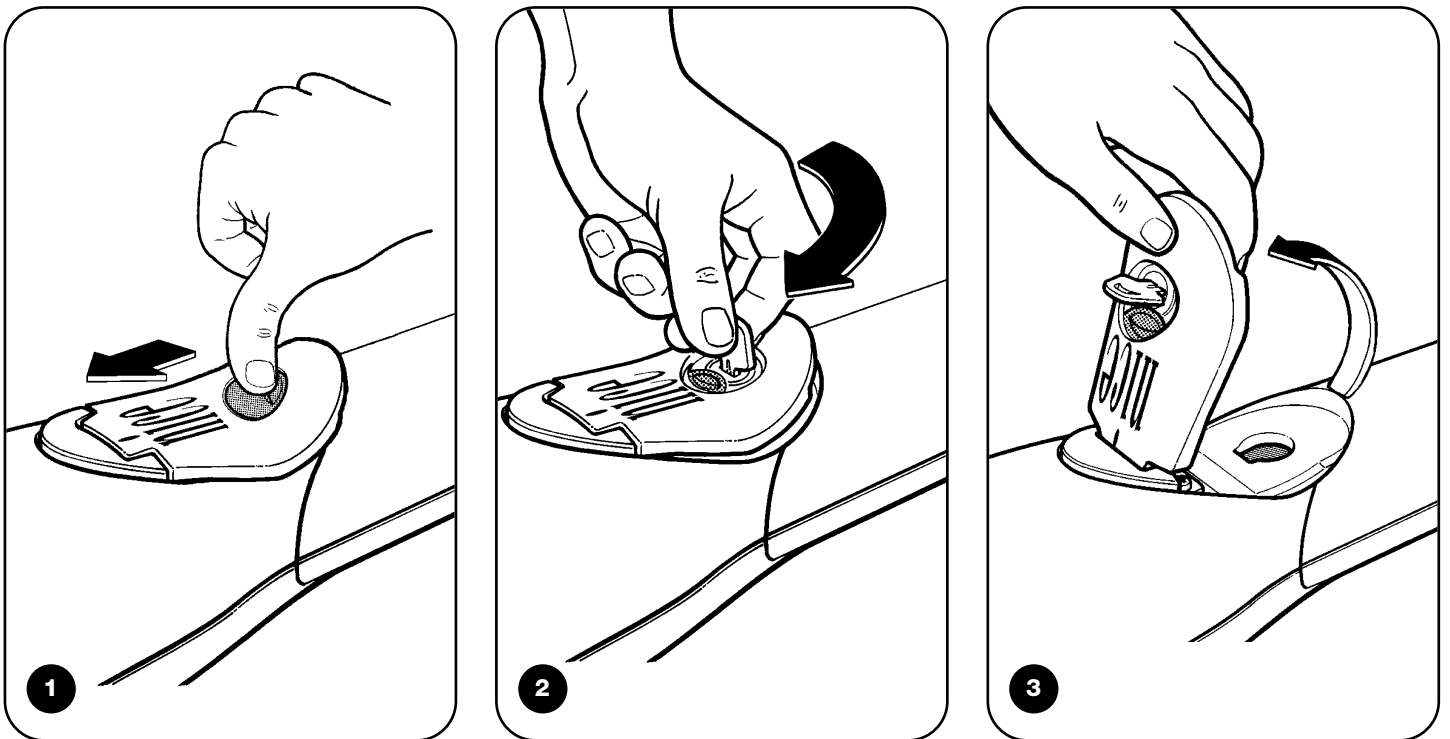
- **Prima di usare per la prima volta l'automazione**, fatevi spiegare dall'installatore l'origine dei rischi residui, e dedicate qualche minuto alla lettura del manuale di **istruzioni ed avvertenze per l'utilizzatore** consegnatovi dall'installatore. Conservate il manuale per ogni dubbio futuro e consegnatelo ad un eventuale nuovo proprietario dell'automazione.
- **La vostra automazione è un macchinario che esegue fedelmente i vostri comandi**; un uso incosciente ed improprio può farlo diventare pericoloso: non comandate il movimento dell'automazione se nel suo raggio di azione si trovano persone, animali o cose.

COMPANY
WITH QUALITY SYSTEM
CERTIFIED BY DNV
=ISO 9001/2000=



Nice

- **Bambini:** un impianto di automazione garantisce un alto grado di sicurezza, impedendo con i suoi sistemi di rilevazione il movimento in presenza di persone o cose, e garantendo un'attivazione sempre prevedibile e sicura. È comunque prudente vietare ai bambini di giocare in prossimità dell'automazione e per evitare attivazioni involontarie non lasciare i telecomandi alla loro portata: **non è un gioco!**
- **Anomalie.** Non appena notate qualunque comportamento anomalo da parte dell'automazione, togliete alimentazione elettrica all'impianto ed eseguite lo sblocco manuale. Non tentate da soli alcuna riparazione, ma richiedete l'intervento del vostro installatore di fiducia: nel frattempo l'impianto può funzionare come un'apertura non automatizzata, una volta sbloccato il motoriduttore come descritto più avanti.
- **Manutenzione.** Come ogni macchinario la vostra automazione ha bisogno di una manutenzione periodica affinché possa funzionare più a lungo possibile ed in completa sicurezza. Concordate con il vostro installatore un piano di manutenzione con frequenza periodica; Nice consiglia un intervento ogni 6 mesi per un normale utilizzo domestico, ma questo periodo può variare in funzione dell'intensità d'uso. Qualunque intervento di controllo, manutenzione o riparazione deve essere eseguito solo da personale qualificato.
- Anche se ritenete di saperlo fare, non modificate l'impianto ed i parametri di programmazione e di regolazione dell'automazione: la responsabilità è del vostro installatore.
- Il collaudo finale, le manutenzioni periodiche e le eventuali riparazioni devono essere documentate da chi le esegue e i documenti conservati dal proprietario dell'impianto.
- **Smaltimento.** Al termine della vita dell'automazione, assicuratevi che lo smantellamento sia eseguito da personale qualificato e che i materiali vengano riciclati o smaltiti secondo le norme valide a livello locale.
- **In caso di rotture o assenza di alimentazione.** Attendendo l'intervento del vostro installatore, (o il ritorno dell'energia elettrica se l'impianto non è dotato di batterie tampone), l'impianto può essere azionato come una qualunque apertura non automatizzata. Per fare ciò è necessario eseguire lo sblocco manuale: questa operazione, che è l'unica che può essere eseguita dall'utilizzatore dell'automazione, è particolarmente curata da Nice per assicurarvi sempre la massima facilità di utilizzo, senza uso di attrezzi o necessità di sforzo fisico.



1. Far scorrere la membrana di protezione come in **fig. 1**
2. Inserire la chiave e ruotarla in senso antiorario come in **fig. 2**
3. Tirare la maniglia accompagnandola nel senso della freccia fino al punto in **fig. 3**
4. Agire manualmente sull'anta ed accompagnarla fino al punto di massima apertura o chiusura
5. Per bloccare agire nel senso contrario

Importante: se il vostro impianto è dotato di un radiocomando che dopo qualche tempo vi sembra funzionare peggio, oppure non funzionare affatto, potrebbe semplicemente dipendere dall'esaurimento della pila (a seconda del tipo, possono trascorrere da diversi mesi fino a due/tre anni). Ve ne potete accorgere dal fatto che la spia di conferma della trasmissione è fioca, non si accende affatto, oppure si accende solo per un breve istante. Prima di rivolgervi all'installatore provate a scambiare la pila con quella di un altro trasmettitore eventualmente funzionante: se questa fosse la causa dell'anomalia, sarà sufficiente sostituire la pila con altra dello stesso tipo.

Siete soddisfatti? Nel caso voleste aggiungere nella vostra casa un nuovo impianto di automazione, rivolgendovi allo stesso installatore e a Nice vi garantirete, oltre che la consulenza di uno specialista e i prodotti più evoluti del mercato, il migliore funzionamento e la massima compatibilità delle automazioni.

Vi ringraziamo per aver letto queste raccomandazioni, e vi auguriamo la massima soddisfazione dal vostro nuovo impianto: per ogni esigenza presente o futura rivolgetevi con fiducia al vostro installatore.

moby

Table des matières:		page	page		
1	Description du produit	26	3	Manœuvre manuelle ou débrayage	32
2	Installation	26	4	Essai de fonctionnement	32
2.1	Contrôles préliminaires	26	5	Maintenance	32
2.2	Limites d'application	26	5.1	Mise au rebut	32
2.3	Fixation	27	6	Caractéristiques techniques	33
2.3.1	Positionnement de la platine de fixation arrière	27	6.1	Modèles et caractéristiques	33
2.3.2	Positionnement de la platine de fixation avant	29		Instructions et recommandations destinées à l'utilisateur de l'opérateur MOBY	35
2.3.3	Ouverture du portail vers l'extérieur	29			
2.4	Réglage du dispositif de fin de course	29			
2.5	Montage de la serrure électrique (article en option)	30			
2.6	Installation typique	30			
2.7	Connexions électriques	31			

Recommandations importantes

Nice vous félicite pour avoir choisi ce produit et vous invite à lire très attentivement ces pages.

Pour faciliter la compréhension de ces instructions, nous avons tenté, dans la mesure du possible, de les présenter en respectant l'ordre dans lequel vous devez exécuter les différentes phases d'installation de l'automatisme.

Il faut lire attentivement les instructions et le fascicule joint "Recommandations pour l'installateur" avant de procéder à l'installation car ils fournissent des indications importantes concernant la sécurité, l'installation, l'utilisation et la maintenance de l'automatisme.

Tout ce qui n'est pas expressément prévu dans ces instructions n'est pas autorisé. En effet les utilisations non décrites dans les instructions pourraient être une source de dommages pour le produit et mettre en danger les personnes et les choses.

Nice décline toute responsabilité en cas de non-observation des règles de l'art dans la construction des portails à un ou deux battants ainsi que des déformations qui pourraient se vérifier durant l'utilisation.

Ne pas installer le produit en présence d'atmosphère explosive.

1) Description du produit

MOBY est un opérateur électromécanique pour l'automatisation de portails à un ou deux battants pour usage résidentiel. Il est conseillé d'utiliser une armoire de commande NICE pour assurer le fonctionnement correct de l'opérateur. Le débrayage permet l'ouverture manuelle du portail.

2) Installation

2.1) Contrôles préliminaires

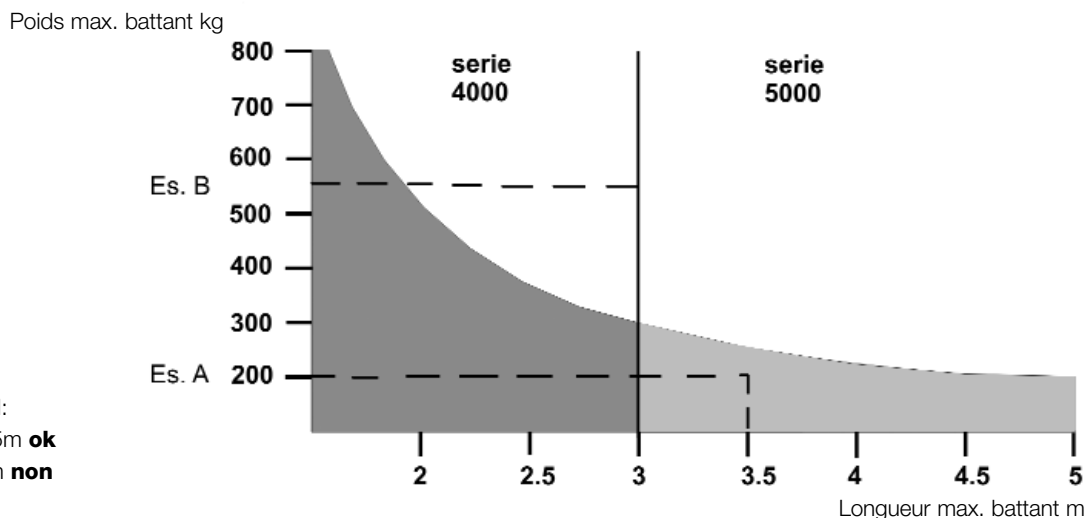
Avant de procéder à l'installation, il faut vérifier que la structure est adaptée, en d'autres termes, qu'elle est conforme aux normes en vigueur et en particulier, il faut vérifier que:

- le portail ne présente pas de points de frottement aussi bien en fermeture qu'en ouverture;
- le portail est bien équilibré, à savoir, que lorsque qu'il est arrêté dans une position quelconque, il n'amorce aucun mouvement;
- le portail, dans sa course, est silencieux et régulier;
- la zone choisie pour la fixation de l'opérateur assure une manœuvre facile et sûre;
- l'emballage contient tous les éléments, comme l'illustre la **fig.1**;
- la zone de fixation est compatible avec l'encombrement de l'opérateur (**fig.2**), en tenant compte que l'ouverture du portail et la force que le moteur exerce sur lui dépendent du point de fixation de la platine arrière. Par conséquent, avant de procéder à l'installation, il faut lire le paragraphe 2.3 "Fixation", pour s'assurer que le portail dispose d'un angle d'ouverture et d'une force correspondant aux conditions requises.

⚠ Nous rappelons que MOBY motorise un portail (à un ou à deux battants) et est en soi efficace et sûr; il ne peut toutefois suppléer aux défauts causés par une installation erronée ou par une mauvaise maintenance.

2.2) Limites d'application



La forme, la hauteur du portail (par ex. un portail plein) et les conditions climatiques (par ex. vent fort) peuvent réduire considérablement les valeurs indiquées dans le graphique ci-après. Nous déconseillons les modèles 24 Vcc dans les zones venteuses.

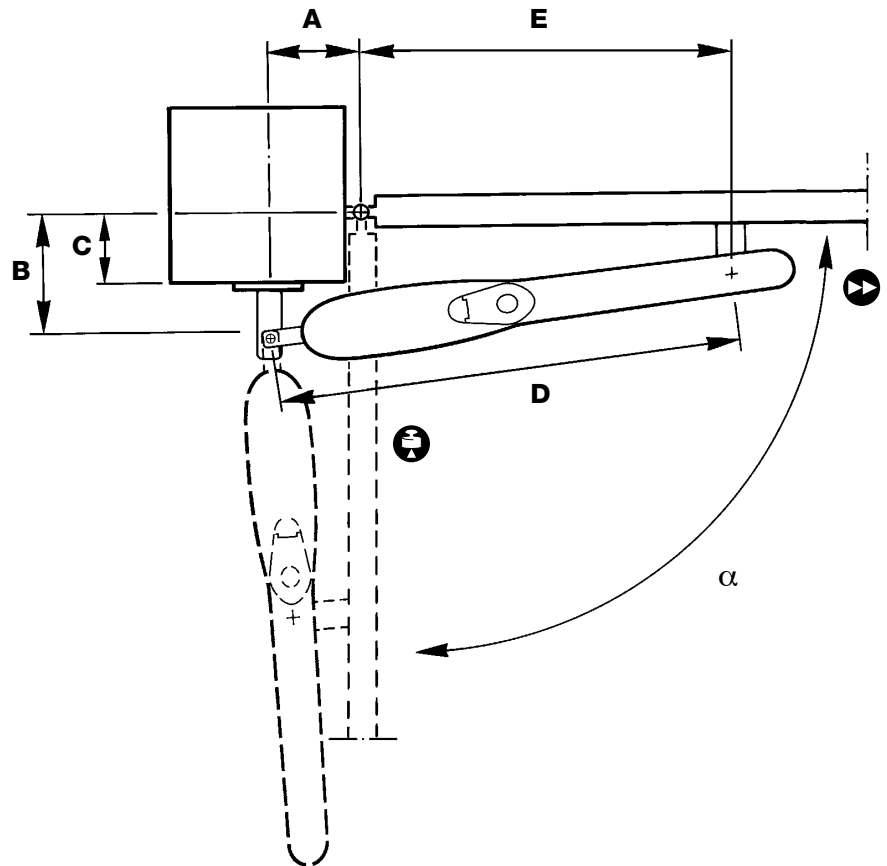


Exemple portail:
A) 200kg et 3,5m **ok**
B) 550kg et 3m **non**

2.3) Fixation

Pour un montage correct il faut vérifier

- 1) Saillie colonne **C**
- 2) Angle de manœuvre α
- 3) Vitesse 
- 4) Force 



2.3.1) Positionnement de la platine de fixation arrière

Les opérations à effectuer sont les suivantes:

- 1.1** Mesurer sur place la valeur de C (dans l'exemple 70 mm).
- 1.2** Identifier dans le graphique relatif au modèle de MOBY à installer la valeur de C et tracer une ligne horizontale (**fig.8**).
- 1.3** Identifier la valeur de "B minimum" à partir du graphique avec la ligne droite tracée précédemment (dans l'exemple: 130 mm **fig.9**), la zone située au-dessus de cette ligne contient les points valables pour la fixation de la platine.
- 2** Il existe une relation entre l'angle de manœuvre que peut effectuer le portail et les positions des platines de fixation (A et B) comme le montrent les graphiques relatifs au produit où des zones de couleur différente représentent les angles maximums autorisés.

Si par exemple (**fig.9**) on veut ouvrir le portail de 100° à 110°, A et B doivent identifier un point sur le graphique appartenant à la zone de couleur correspondante.

- 3** À l'intérieur de la zone identifiée, nous rappelons que la force imprimée au portail et le temps d'ouverture et de fermeture sont directement proportionnels aux valeurs de A et B et que pour un fonctionnement linéaire, ces valeurs devront être similaires; il faut donc suivre la ligne d'installation conseillée.

Exemple

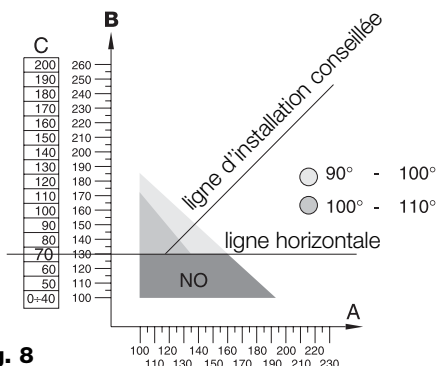


Fig. 8

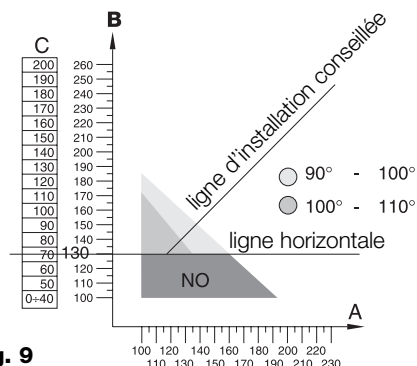
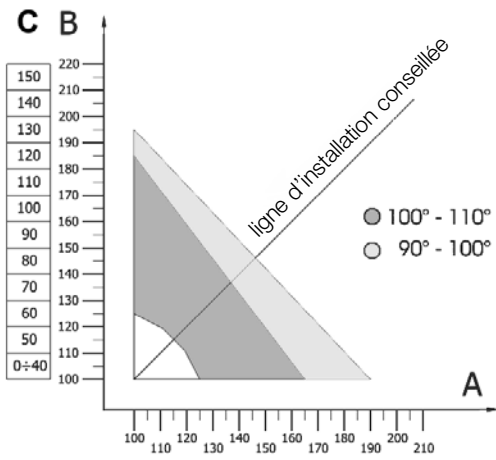
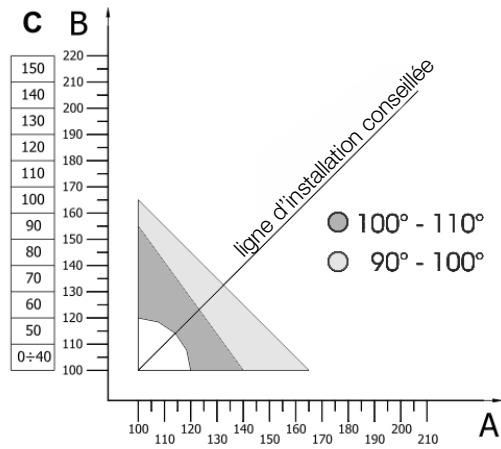


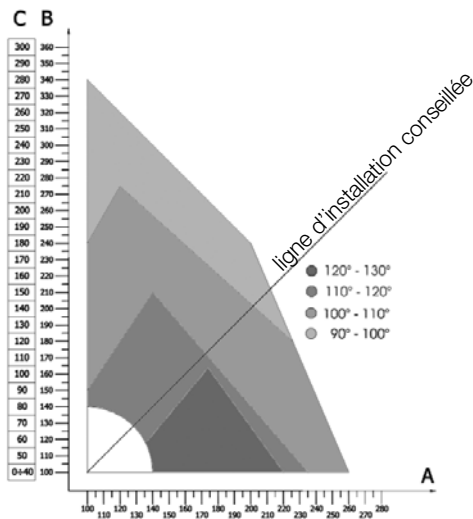
Fig. 9



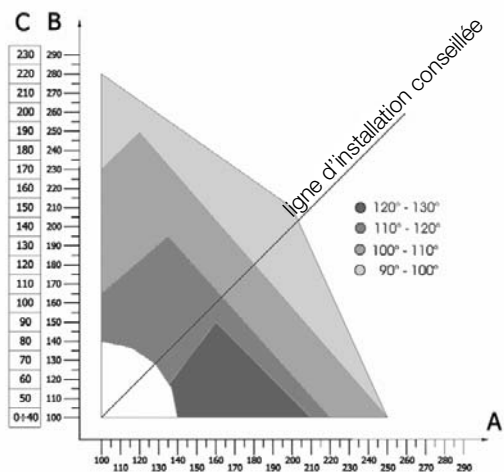
MB4005 - MB4015 - MB4024 - MB4605 - MB4615
butée de fin de course en ouverture



MB4006
butée de fin de course en ouverture et en fermeture

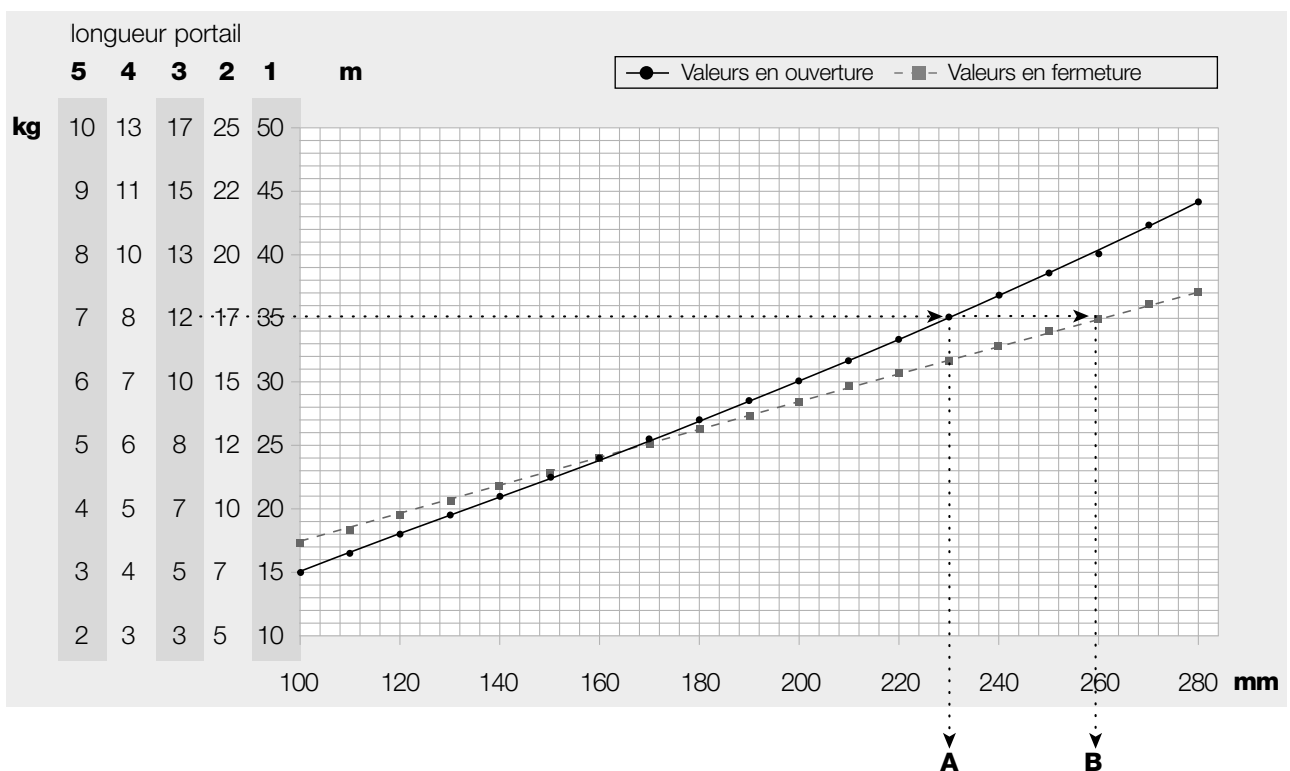


MB5015 - MB5024 - MB5615
butée de fin de course en ouverture



MB5016
butée de fin de course en ouverture et en fermeture

4 Le graphique ci-dessous est utile pour déterminer la force maximum à l'extrémité du portail en fonction des valeurs de A et B



2.3.2) Positionnement de la platine de fixation avant

La platine de fixation avant (47) doit être positionnée sur le portail avec une bride spéciale en respectant la mesure **D** et la mesure **E** (voir tableau). Avant de procéder à la fixation définitive:

1. Vérifier que la ligne de fermeture de l'opérateur est parfaitement horizontale (**fig.4**).
2. Ouvrir et fermer manuellement le portail pour s'assurer que le mouvement est régulier.
3. Enlever l'opérateur et souder la platine de fixation avant (47)

Fixation arrière de l'opérateur (fig.5)

Fixer MOBY à la platine (45) par l'intermédiaire de la fourche (46) avec la vis (55), la rondelle (59) et l'écrou (61); visser à fond ce dernier puis le dévisser d'environ 1/10e de tour pour permettre un certain jeu entre les parties.

Fixation avant de l'opérateur (fig.6)

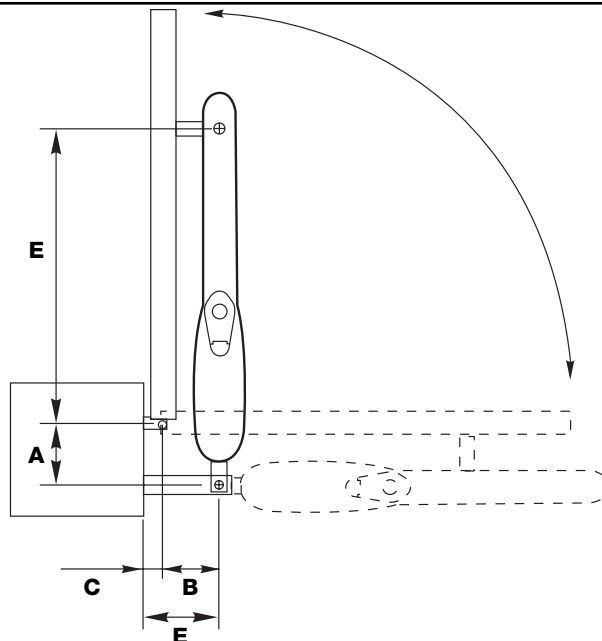
Insérer la fourche avant de MOBY (34) dans la platine avant (47) en la bloquant avec la vis (56) et la rondelle (60).

MB4005	MB4015	MB4024	MB4605	MB4615	MB4006	MB5015	MB5024	MB5615	MB5016
D= 740mm					D= 710mm		D= 880mm		D= 850mm

A	MB4005	MB4015	MB4024	MB4605	MB4615	MB4006	MB5015	MB5024	MB5615	MB5016
100mm			E= 625mm			E= 595mm		E= 775mm		E= 745mm
110mm			E= 615mm			E= 585mm		E= 765mm		E= 735mm
120mm			E= 605mm			E= 575mm		E= 755mm		E= 725mm
130mm			E= 600mm			E= 570mm		E= 750mm		E= 720mm
140mm			E= 590mm			E= 560mm		E= 740mm		E= 710mm
150mm			E= 580mm			E= 550mm		E= 730mm		E= 700mm
160mm			E= 570mm			E= 540mm		E= 720mm		E= 690mm
170mm			E= 560mm			E= 530mm		E= 710mm		E= 680mm
180mm			E= 550mm			E= 520mm		E= 700mm		E= 670mm
190mm			E= 540mm			E= 510mm		E= 690mm		E= 660mm
200mm			E= 530mm			E= 500mm		E= 680mm		E= 650mm

2.3.3) Ouverture du portail vers l'extérieur

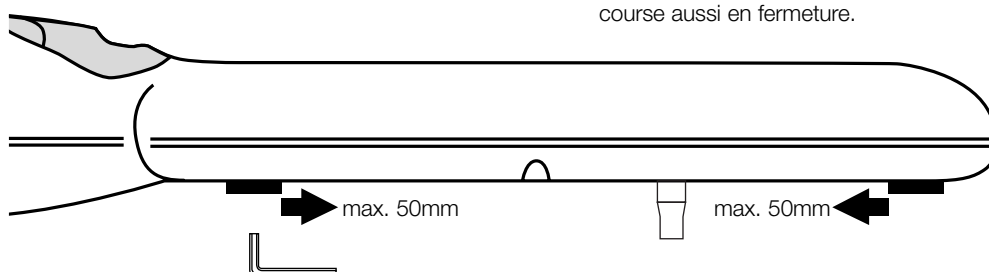
Pour permettre un mouvement correct, dans certains cas il pourrait se révéler nécessaire d'utiliser une platine de fixation plus longue (PLA6, en option) comme l'illustre la figure.



2.4) Réglage du dispositif de fin de course

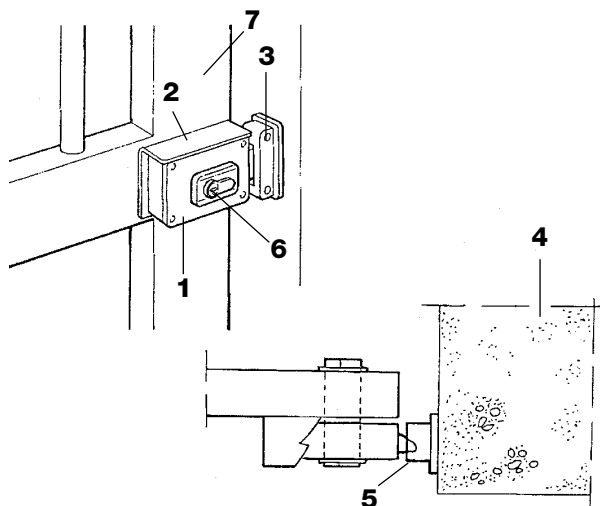
Le dispositif de fin de course permet de régler la position d'arrêt du portail en évitant ainsi de devoir utiliser les butées de sécurité et de faire battre le portail contre ces butées. Simultanément, un microinterrupteur coupe l'alimentation du moteur.

- A) Débrayer l'opérateur (voir chapitre 5).
- B) Desserrer la vis (54).
- C) Ouvrir le portail jusqu'à la position désirée.
- D) Régler ensuite la position du dispositif de fin de course en le déplaçant jusqu'au point désiré en agissant sur la vis.
- E) Bloquer la vis (54).
- F) Les modèles **MB4006** et **MB5016** ont un dispositif de fin de course aussi en fermeture.

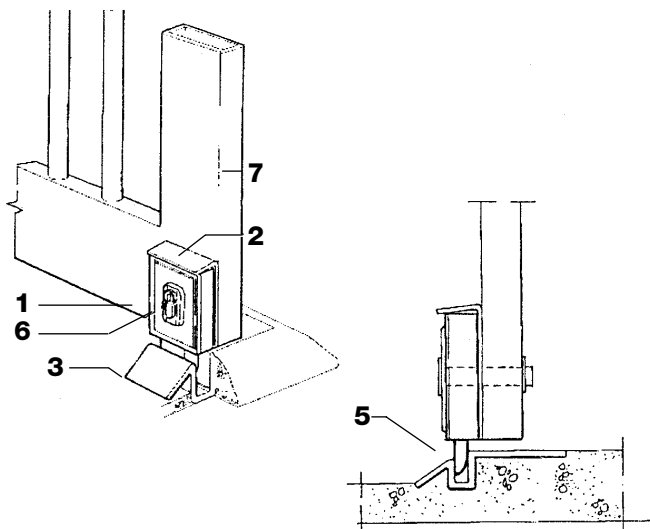


2.5) Montage de la serrure électrique (article en option)

- 1 Serrure électrique
- 2 Platine de fixation serrure électrique (préciser la fixation horizontale ou verticale)
- 3 Gâche
- 4 Dormant pour fixation gâche
- 5 Pêne
- 6 Barillet passant
- 7 Portail

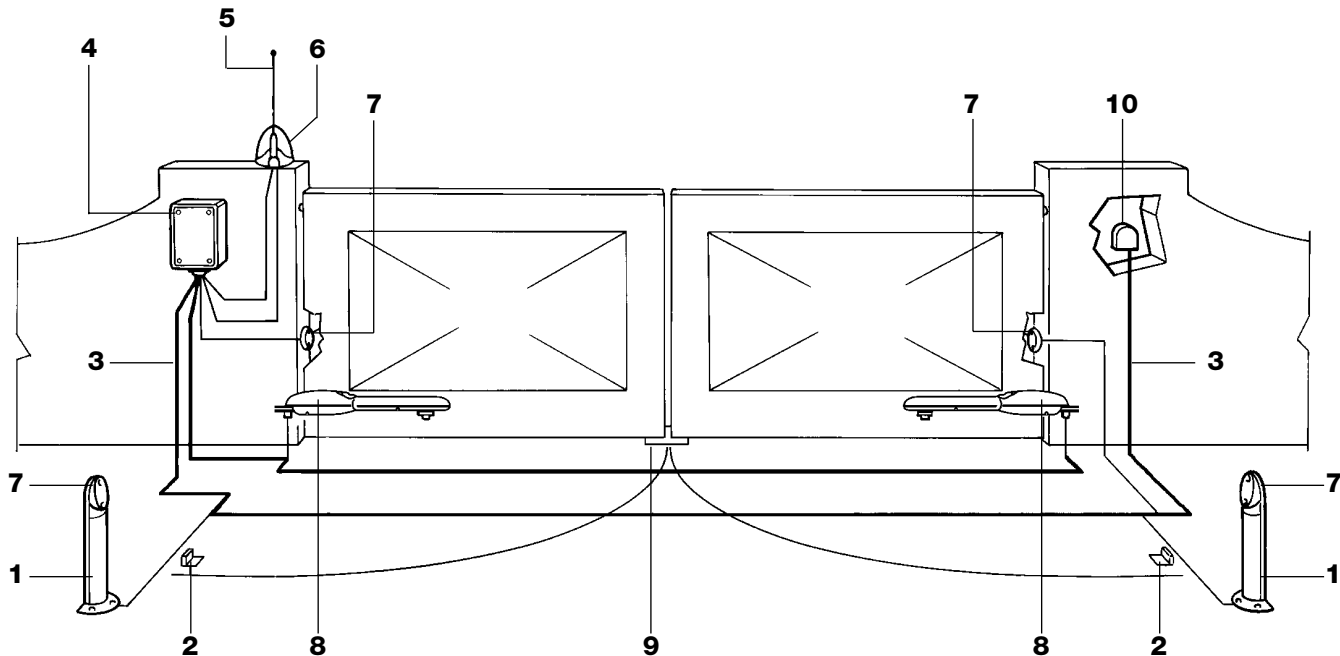


Fixation horizontale (pour un battant)



Fixation verticale (pour deux battants)

2.6) Installation typique



- 1 Colonne pour photocellules
- 2 Paire de butées en ouverture
- 3 Ligne électrique d'alimentation
- 4 Armoire de commande
- 5 Antenne
- 6 Clignotant
- 7 Photocellule
- 8 Opérateur MOBY
- 9 Serrure électrique verticale*
- 10 Sélecteur à clé ou clavier à code

*à installer si on utilise les modèles réversibles MB4605 et MB4615,
ou si le portail dépasse 3 m de longueur pour chaque battant.

2.7) Connexions électriques:

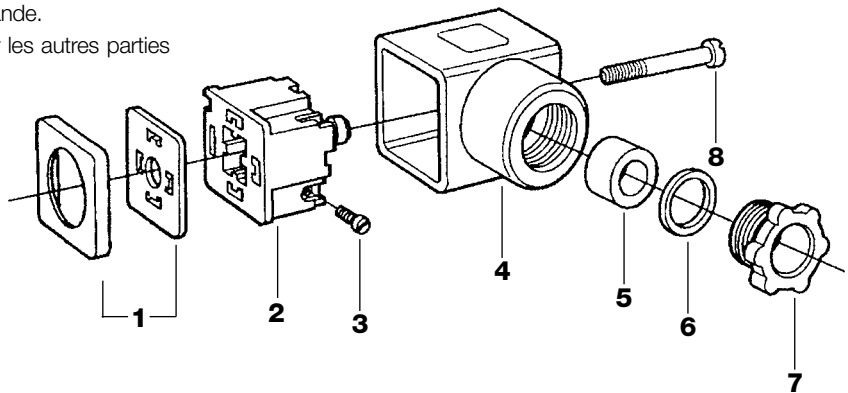
Connexions au connecteur

Le connecteur est fourni déjà monté et se trouve dans la partie inférieure de l'opérateur (voir détail 48 du tableau des pièces de rechange à l'intérieur de la couverture).

Il sert à connecter l'opérateur à l'armoire de commande.

Dévisser la vis (8) et à l'aide d'un tournevis, enlever les autres parties (comme l'indique la figure) y compris les vis (3).

- 1 Garnitures
- 2 Support pour contacts
- 3 Vis serre-fil
- 4 Protection
- 5 Passe-câble
- 6 Rondelle
- 7 Serre-câble
- 8 Vis de fixation

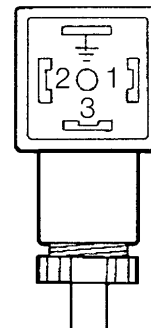


N.B.: le connecteur garantit une protection IP65 DIN 40050 seulement s'il est monté correctement, comme l'illustre la figure.

Connexions du moteur pour les modèles: MB4005 - MB4006 - MB4015 - MB4605 MB4615 - MB5015 - MB5016 - MB5615

Connecter les fils du câble dans le support des contacts (2) en suivant les indications de la figure.

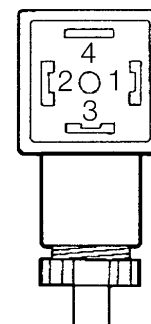
- 1 = ouvre
- 2 = ferme
- 3 = commun
- ⊥ = Terre



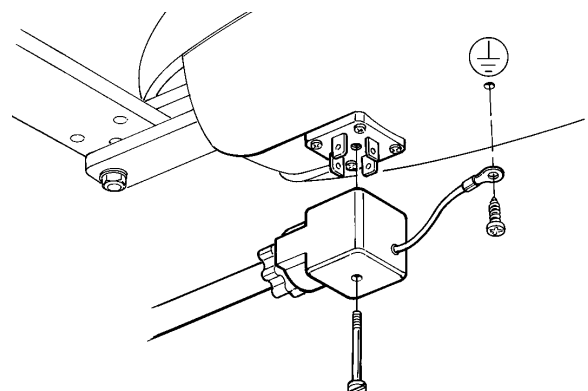
Connexions du moteur pour les modèles: MB4024 - MB5024

Connecter les fils du câble dans le support des contacts (2) en suivant les indications de la figure.

- 1 = Moteur +
- 2 = Moteur -
- 3 = Encodeur +
- 4 = Encodeur -



⚠ Nous rappelons qu'il faut toujours connecter le conducteur de mise à la terre conformément aux prescriptions des normes en vigueur (EN 60204 - CEI 64-1 - EN 60335) comme l'illustre la figure.



3) Manœuvre manuelle ou débrayage

Manœuvre manuelle pour les modèles:

**MB4005 - MB4006 - MB4015 - MB4024 - MB5015
MB5016 - MB5024**

L'opération manuelle (**fig.3**) doit être effectuée en cas de panne de courant ou en cas d'anomalie dans le fonctionnement de l'automatisme.

La manœuvre manuelle permet une course libre de l'opérateur seulement s'il est monté correctement et avec les accessoires originaux.

Manœuvre manuelle pour les modèles:

MB4605 - MB4615 - MB5615

Dans ces modèles, il n'est pas nécessaire de débrayer l'opérateur pour ouvrir manuellement le portail (s'assurer toutefois que la serrure électrique est débloquée); il suffit de pousser avec une certaine force à l'extrémité du portail.

4) Essai de fonctionnement

L'essai de fonctionnement de toute l'installation doit être effectué par du personnel expert et qualifié qui doit se charger des essais requis en tenant compte du risque présent.

Pour l'essai de MOBY, suivre cette procédure:

- fermer le portail;
 - couper l'alimentation de la centrale;
 - débrayer l'opérateur;
 - ouvrir manuellement le portail jusqu'en fin de course;
 - vérifier l'absence de points de frottement durant le mouvement du portail;
 - vérifier que le portail, s'il est arrêté en un point quelconque et débrayé, n'amorce aucun mouvement;
- vérifier que les systèmes de sécurité et les butées mécaniques sont en bon état;
 - vérifier que les vis d'assemblage sont serrées à fond;
 - vérifier que la vis-mère et la vis sans fin sont bien graissées;
 - vérifier la propreté des photocellules;
 - après avoir terminé les vérifications, rembrayer l'opérateur et rétablir l'alimentation de l'armoire de commande.
 - MOBY est dépourvu de dispositif de réglage du couple, ce réglage est donc assuré par l'armoire de commande.
 - mesurer la force d'impact conformément aux normes EN12453 et EN12445.

5) Maintenance

MOBY ne requiert pas de maintenance particulière mais un contrôle programmé au moins tous les six mois permet d'assurer à l'opérateur une plus longue vie et un fonctionnement correct et sûr du système.

La maintenance consiste simplement à répéter toute la procédure de l'essai de fonctionnement.

5.1) Mise au rebut

MOBY est constitué de différents types de matériaux et leur mise au rebut doit être effectuée en respectant les normes en vigueur dans le pays d'installation.

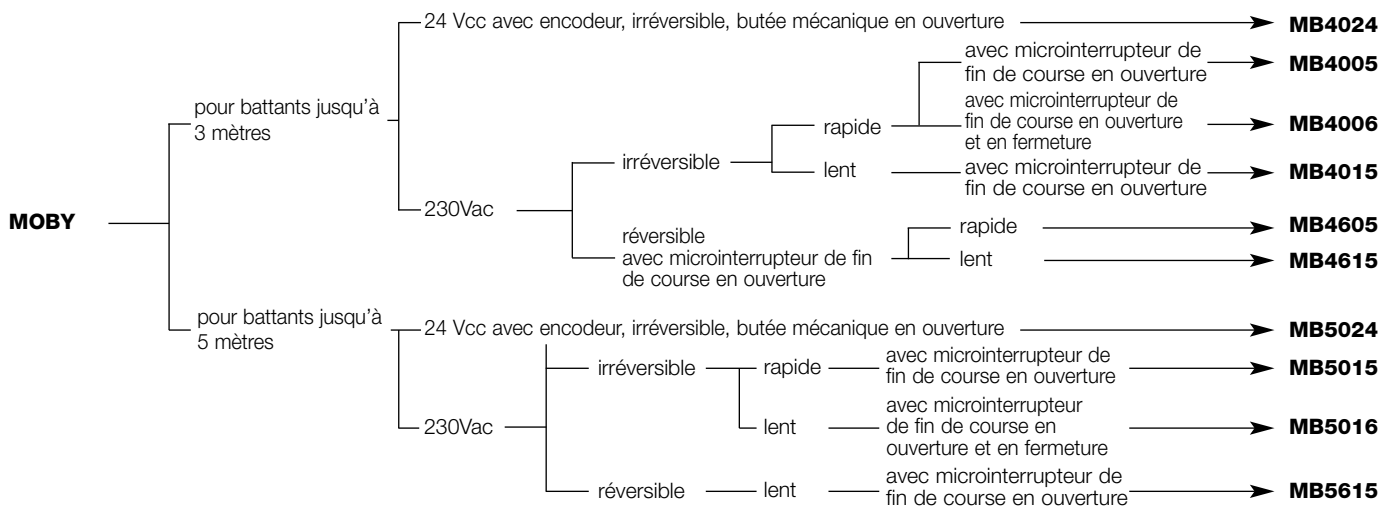
En cas de démantèlement de l'automatisme, il n'existe pas de dangers ou risques dérivant de l'automatisme proprement dit.

Dans le cas de récolte différenciée, il est opportun d'effectuer un tri sélectif suivant le type de matériau (partes électriques, aluminium, plastique, etc.)

6) Caractéristiques techniques

		MB4005	MB4015	MB4605	MB4615	MB4006	MB5015	MB5016	MB5615	MB4024	MB5024
Alimentation (Vac 50Hz)		230									
	(Vdc)										
Courant (A)		1.1		1.3		1.1		1.3		5	
Puissance absorbée (W)		230		300		230		300		120	
Condensateur incorp. (uF)		7									
Indice de protection (IP)		44									
Vitesse (m/s)		0,016	0,013	0,019	0,016	0,013	0,016				
Course (Y) (mm)		310			270	470	430	470	310	470	
Poussée max. (N)		2000									
Température de fonctionnement (°C Min/Max)		-20 ÷ +50									
Protection thermique (°C)		140									
Cycles de travail (%)		30									
Poids (kg)		6					7			6	7

6.1) Modèles et caractéristiques





moby

Instructions et avertissements destinés à l'utilisateur de l'opérateur MOBY

Félicitations pour avoir choisi un produit Nice pour votre installation d'automatisation!

Nice S.p.A. produit des composants pour l'automatisme de portails, portes, volets roulants et stores : opérateurs, armoires de commande, radiocommandes, clignotants, photocellules et accessoires.

Nice utilise exclusivement des matériaux et des usinages de qualité et par vocation, elle recherche des solutions innovantes qui simplifient au maximum l'utilisation de ses appareils, très soignés sur le plan des solutions techniques, esthétiques et ergonomiques: dans la vaste gamme Nice, votre installateur aura choisi sans aucun doute le produit le plus adapté à vos exigences.

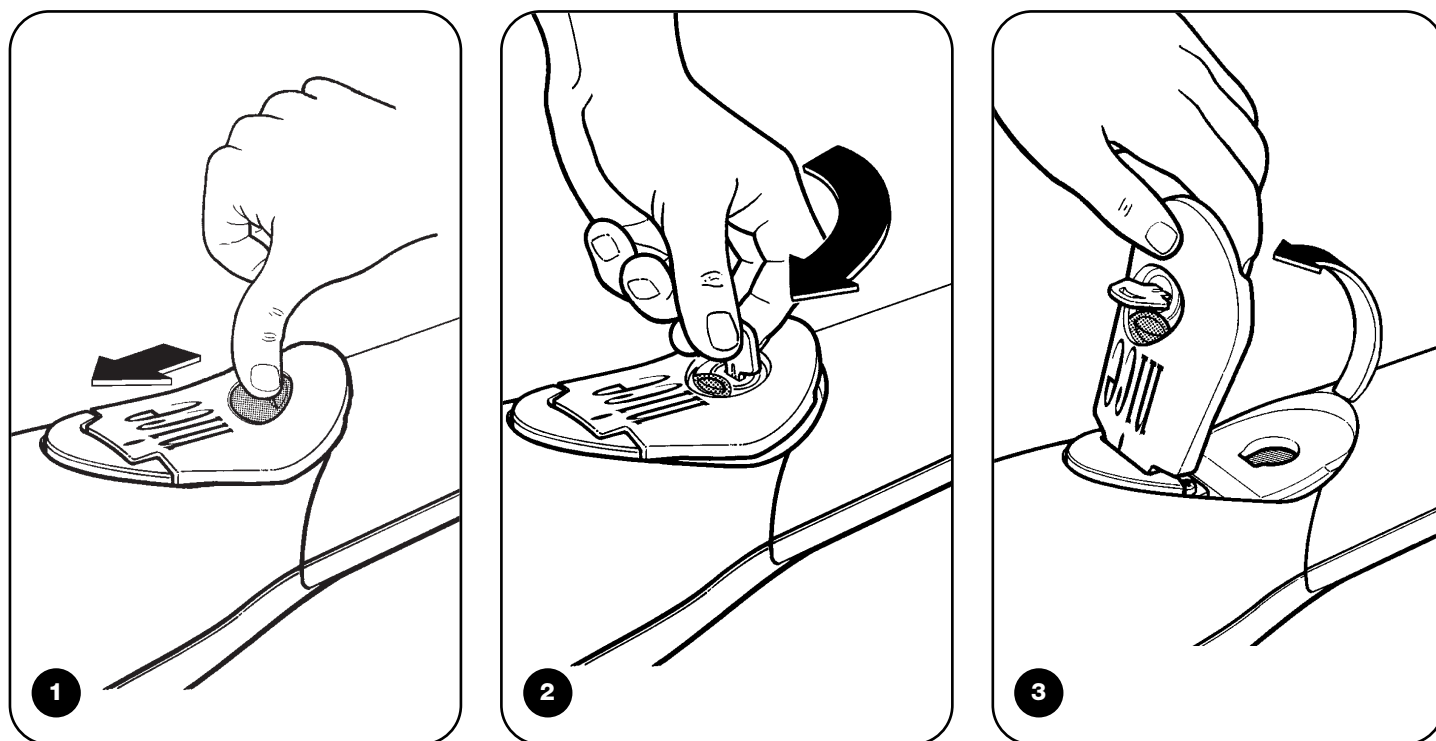
Nice n'est toutefois pas le producteur de votre automatisme qui est en effet le résultat d'un travail d'analyse, évaluation, choix des matériaux et réalisation de l'installation, exécuté par votre installateur de confiance. Chaque automatisme est unique et seul votre installateur possède l'expérience et la compétence professionnelle nécessaires pour réaliser une installation répondant à vos exigences, sûre et fiable dans le temps et surtout, exécutée dans les règles de l'art et conforme par conséquent aux normes en vigueur.

Une installation d'automatisation est une belle commodité ainsi qu'un système de sécurité valable ; avec quelques attentions très simples, elle est destinée à durer dans le temps.

Même si l'automatisme en votre possession satisfait le niveau de sécurité requis par les normes, cela n'exclut pas la persistance d'un "risque résiduel", c'est-à-dire la possibilité de situations de danger dues généralement à une utilisation inconsciente, voire erronée. C'est la raison pour laquelle nous désirons vous donner quelques conseils sur les comportements à adopter pour éviter tout inconvénient :

- **Avant d'utiliser pour la première fois l'automatisme**, faites-vous expliquer par l'installateur l'origine des risques résiduels et consacrez quelques minutes à la lecture du manuel **d'instructions et d'avertissement pour l'utilisateur** qui vous est remis par l'installateur. Conservez le manuel pour pouvoir le consulter pour n'importe quel doute futur et remettez-le à l'éventuel nouveau propriétaire de l'automatisme.
- **Votre automatisme est un équipement qui exécute fidèlement vos commandes**; une utilisation inconsciente et incorrecte peut le rendre dangereux: ne commandez pas le mouvement de l'automatisme si des personnes, des animaux ou des objets se trouvent dans son rayon d'action.

- **Enfants:** une installation d'automatisation garantit un degré de sécurité élevé en empêchant avec ses systèmes de détection le mouvement en présence de personnes ou d'objets et en garantissant une activation toujours prévisible et sûre. Il est prudent toutefois d'éviter de laisser jouer les enfants à proximité de l'automatisme et pour éviter les activations involontaires, de ne pas laisser à leur portée les émetteurs qui commandent la manœuvre: **ce n'est pas un jeu!**
- **Anomalies:** si vous notez une anomalie quelconque dans le fonctionnement de l'automatisme, coupez l'alimentation électrique de l'installation et procédez au débrayage manuel. Ne tentez jamais de le réparer vous-même mais demandez l'intervention de votre installateur de confiance : dans l'intervalle, l'installation peut fonctionner comme un système non automatisé, après avoir débrayé l'opérateur suivant les indications données plus loin.
- **Maintenance:** comme tout appareil, votre automatisme a besoin d'une maintenance périodique pour pouvoir fonctionner le plus longtemps possible et en toute sécurité. Établissez avec votre installateur un plan de maintenance périodique programmée ; Nice conseille une intervention tous les 6 mois pour une utilisation domestique normale mais celle période peut varier en fonction de l'intensité d'utilisation. Toute intervention de contrôle, maintenance ou réparation doit être exécutée exclusivement par du personnel qualifié.
- Même si vous estimez en être capable, ne modifiez pas l'installation et les paramètres de programmation et de réglage de l'automatisme : la responsabilité en incombe à votre installateur.
- L'essai de fonctionnement final, les maintenances périodiques et les éventuelles réparations doivent être documentés par qui les exécute et les documents doivent être conservés par le propriétaire de l'installation.
- **Mise au rebut.** À la fin de la vie de l'automatisme, assurez-vous que le démantèlement est effectué par du personnel qualifié et que les matériaux sont recyclés ou mis au rebut en respectant les normes locales en vigueur.
- **En cas de ruptures ou absence d'alimentation électrique.** En attendant l'intervention de votre installateur (ou le retour du courant si l'installation est dépourvue de batterie tampon), l'installation peut être actionnée comme n'importe quel autre système non automatisé. Pour cela, il faut effectuer le débrayage manuel : cette opération, qui est la seule pouvant être effectuée par l'utilisateur de l'automatisme, a fait l'objet d'une étude particulière de la part de Nice pour vous assurer toujours une utilisation extrêmement simple et aisée, sans aucun outil ou effort physique.



1. Faire coulisser le couvercle de protection comme l'illustre la **fig. 1**
2. Introduire la clé et la tourner dans le sens contraire aux aiguilles d'une montre comme l'illustre la **fig. 2**
3. Tirer la poignée en l'accompagnant dans le sens de la flèche jusqu'au point indiqué dans la **fig. 3**
4. Agir manuellement sur la porte ou le portail et l'accompagner jusqu'au point d'ouverture ou de fermeture maximum
5. Pour bloquer, agir dans le sens contraire

Important: si votre installation est munie d'une radiocommande qui au bout d'une certaine période présente des problèmes de fonctionnement ou ne fonctionne plus du tout, cela pourrait dépendre tout simplement du fait que la pile est usagée (suivant le type de pile, il peut s'écouler plusieurs mois jusqu'à deux ou trois ans). Vous pouvez vérifier cet état de chose si le voyant de confirmation de la transmission est faible, s'il ne s'allume plus du tout ou s'il ne s'allume qu'un bref instant. Avant de vous adresser à l'installateur, essayez de remplacer la pile en utilisant celle d'un autre émetteur qui fonctionne encore : si cette intervention remédie au problème, il vous suffit de remplacer la pile usagée par une neuve du même type.

Vous êtes satisfait? Si vous désirez équiper votre maison d'un nouvel automatisme, adressez-vous au même installateur et à Nice. Vous serez sûr de bénéficier ainsi, en plus du conseil d'un spécialiste et des produits les plus évolués du marché, également du meilleur fonctionnement et de la compatibilité parfaite des différents automatismes installés.

Nous vous remercions d'avoir lu ces recommandations et nous espérons que votre nouvelle installation vous donnera entière satisfaction : pour tout besoin présent ou futur, adressez-vous en toute confiance à votre installateur.

moby

Inhaltsverzeichnis

	S.		S.		
1	Beschreibung des Produktes	38	3	Manuelle Bewegung oder Entriegelung	44
2	Installation	38	4	Prüfung	44
2.1	Vorprüfungen	38	5	Wartung	44
2.2	Einsatzgrenzen	38	5.1	Entsorgung	44
2.3	Befestigung	39	6	Technische Merkmale	45
2.3.1	Positionieren des hinteren Bügels	39	6.1	Modelle und Merkmale	45
2.3.2	Positionieren des vorderen Bügels	41		Anweisungen und Hinweise für den Benutzer des Toröffners MOBY	47
2.3.3	Öffnung des Tors nach außen	41			
2.4	Einstellung des Endschalters	41			
2.5	Montage des Elektroschlusses (Optional)	42			
2.6	Typische Anlage	42			
2.7	Elektrische Anschlüsse	43			

Wichtige Hinweise

Nice gratuliert Ihnen zur Wahl dieses Produktes und bittet Sie, diese Seiten sehr aufmerksam zu lesen.

Um den Gebrauch dieser Anweisungen so einfach wie möglich zu machen, wurde soweit möglich versucht, die Seiten in der Reihe einzuordnen, in der die verschiedenen Installationsschritte der Anlage auszuführen sind.

Vor der Installation sind die Anweisungen und das anliegende Heft "Hinweise für den Installateur" aufmerksam zu lesen, da sie, was Sicherheit, Installation, Bedienung und Wartung betrifft, wichtige Hinweise liefern.

Alles nicht ausdrücklich in diesen Anweisungen vorgesehene ist unzulässig; nicht in den Anweisungen vorgesehene Verwendungen könnten das Produkt beschädigen und Personen und Gegenstände gefährden.

Nice übernimmt keine Haftung weder für die gute Konstruktionstechnik der Tore noch für eventuelle Verformungen während des Betriebs.

Das Produkt nicht in Ex-gefährdeter Umgebung installieren.

1) 1. Beschreibung des Produktes

MOBY ist ein elektromechanischer Toröffner für die Automatisierung von ein- oder zweiflügeligen Toren in Wohnhäusern.
Für den korrekten Betrieb des Toröffners wird die Verwendung einer NICE Steuerung empfohlen.
Dank der Entriegelung kann das Tor von Hand geöffnet werden.

2) Installation

2.1) Vorprüfungen

Vor dem Einbau einer Automatisierung muss geprüft werden, ob die Struktur dafür geeignet ist bzw. ob sie den gültigen Vorschriften entspricht.

Insbesondere:

- darf das Tor weder in Öffnung noch in Schließung Reibungsstellen aufweisen;
- muss das Tor ein gutes Gleichgewicht besitzen bzw. darf es sich nicht bewegen, wenn es angehalten wird;
- muss das Tor einen leisen und regelmäßigen Lauf haben;
- muss der zur Befestigung des Toröffners gewählte Bereich so sein, dass die manuelle Bewegung auf leichte und einfache Weise erfolgen kann;
- muss die Verpackung unbeschädigt sein, siehe dazu **Abb.1**;
- ist zu prüfen, ob der Befestigungsbereich für die Gesamtmaße des Toröffners geeignet ist (**Abb.2**), wobei zu berücksichtigen ist, dass die Toröffnung und die Kraft, die der Motor auf das Tor ausübt, von der Stelle abhängen, an welcher der

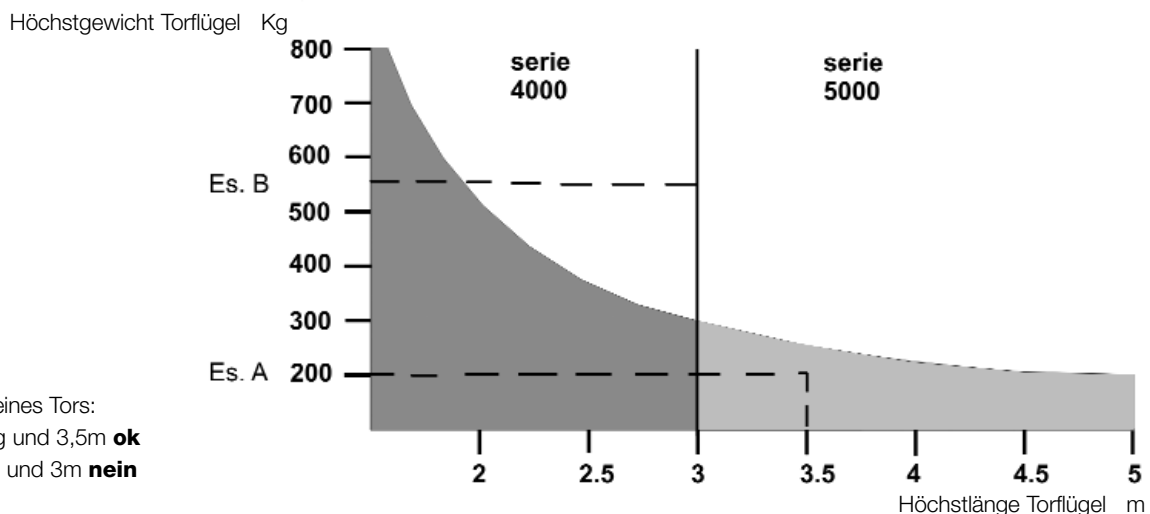
hintere Bügel befestigt wird. Daher muss vor der Installation der Abschnitt 2.3 „Befestigung“ gelesen werden, um sicherzustellen, dass der Öffnungswinkel des Tors und die Kraft ausreichend sind.

⚠ Es wird daran erinnert, dass MOBY für die Automatisierung von einem an und für sich effizienten und sicheren Tor (ein- oder zweiflügeliges Tor) dient, und nicht dazu, Installationsfehlern oder einer schlechten Wartung Abhilfe zu schaffen.

2.2) Einsatzgrenzen



Form und Höhe des Tors (z.B. durchgehendes Tor) und die Wetterbedingungen (z.B. starker Wind) können die im Schaubild daneben angegebenen Werte auch erheblich reduzieren.

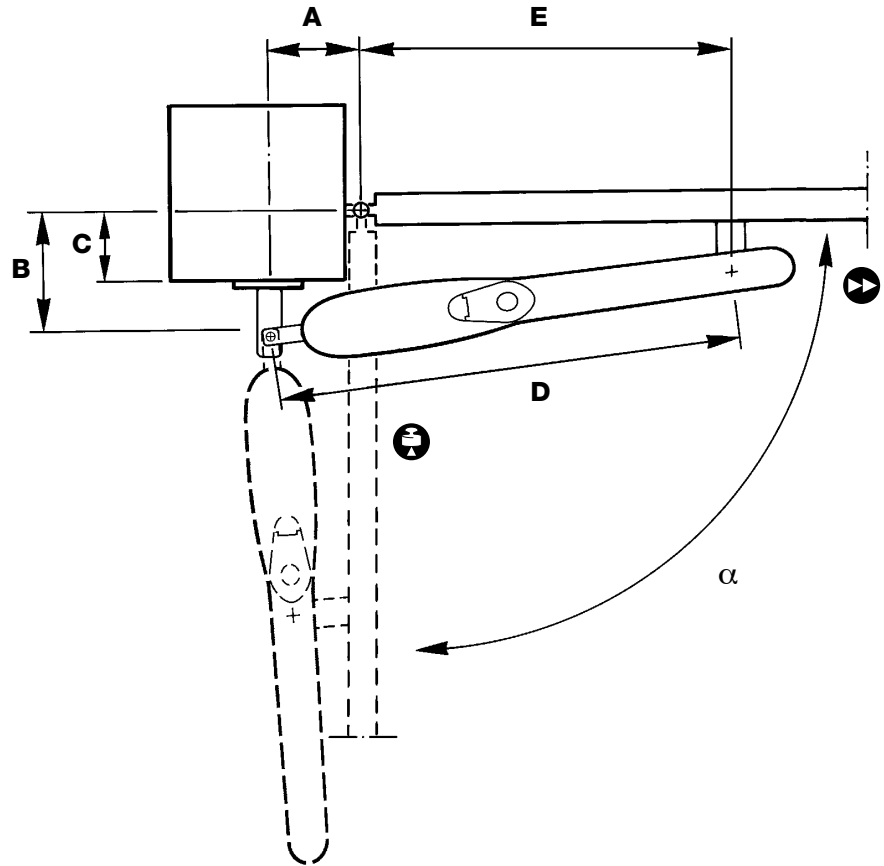
Vom Gebrauch der 24 Vdc Modelle in windigen Gebieten wird abgeraten.



2.3) Befestigung

Für die korrekte Montage müssen folger

- 1) Vorsprung der Torsäule **C**
- 2) Bewegungswinkel α
- 3) Geschwindigkeit 
- 4) Kraft 



2.3.1) Positionieren des hinteren Bügels:

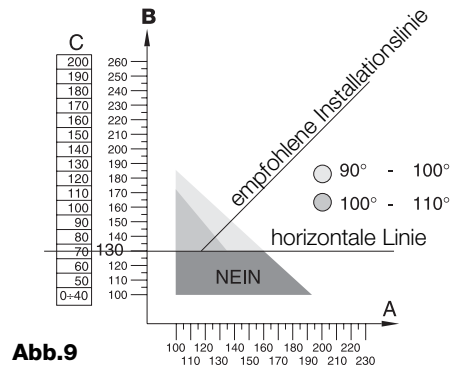
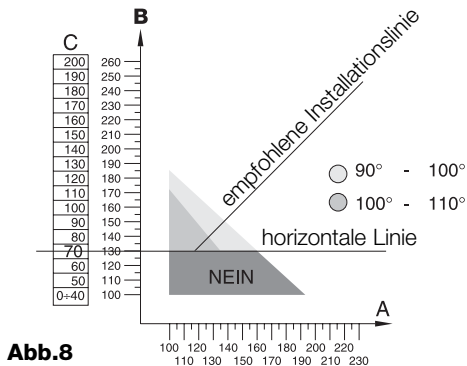
Die auszuführenden Schritte sind:

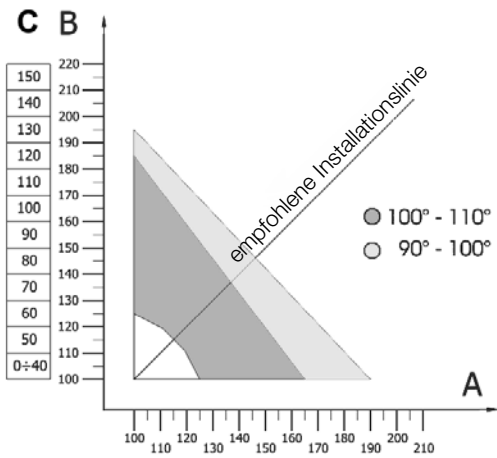
- 1.1** Den Wert C an Ort und Stelle messen (z.B. 70 mm).
- 1.2** Im Schaubild durch den Wert C des jeweiligen Modells MOBY eine horizontale Linie ziehen (**Abb.8**).
- 1.3** Den Wert „B Minimum“ mit Hilfe der soeben gezogenen horizontalen Linie im Schaubild ermitteln (im Beispiel: 130 mm – **Abb.9**). Der Bereich über dieser Linie enthält die zum Positionieren des Bügels gültigen Punkte.
- 2** Der Bewegungswinkel, den das Tor ausführen kann, und die Positionen der Bügel (A und B) stehen in einem bestimmten Verhältnis, wie im Schaubild eines jeden Produktes gezeigt, wo verschiedenfarbige Bereiche die zulässigen Höchstwinkel darstellen.

Wenn man zum Beispiel das Tor um $100^\circ \pm 110^\circ$ öffnen will (**Abb.9**), müssen A und B einen Punkt auf dem Schaubild bestimmen, der zum Bereich mit der entsprechenden Farbe gehört.

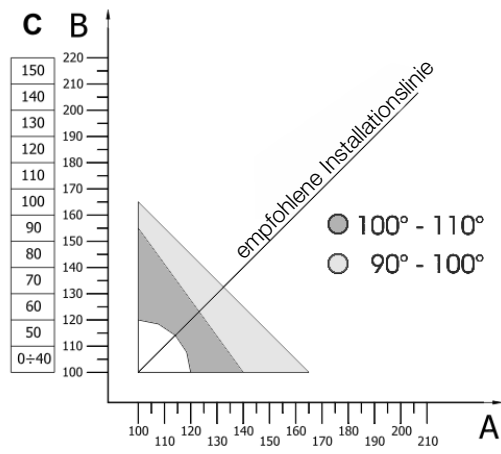
- 3** Wir erinnern daran, dass innerhalb des ermittelten Bereichs die Kraft auf dem Tor und die Öffnungs- und Schließzeit zu den Werten A und B direkt proportional sind und dass diese Werte für einen linearen Betrieb untereinander ähnlich sein müssen, daher der empfohlenen Installationslinie folgen.

Beispiel

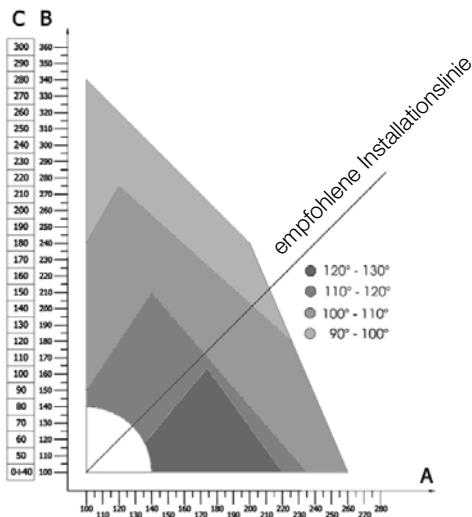




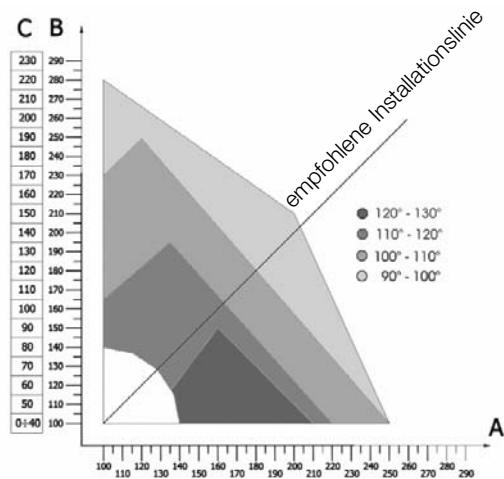
MB4005 - MB4015 - MB4024 - MB4605 - MB4615
Endschalter in Öffnung



MB4006
Endschalter in Öffnung und Schließung

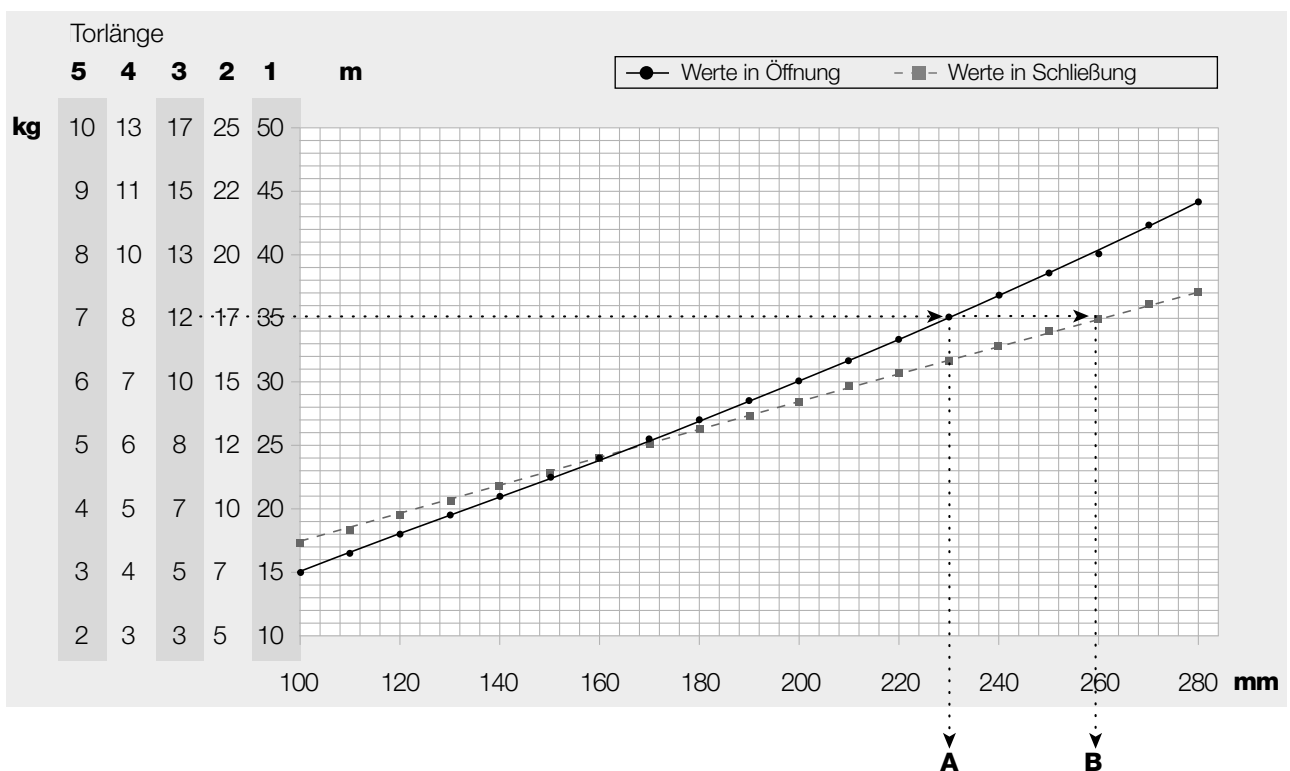


MB5015 - MB5024 - MB5615
Endschalter in Öffnung



MB5016
Endschalter in Öffnung und Schließung

4 Das hier folgende Schaubild ist nützlich, um die Höchstkraft am Ende des Tors in Abhängigkeit von den Werten A und B zu bestimmen.



2.3.2) Positionieren des vorderen Bügels

Der vordere Bügel (47) muss unter Einhaltung der Maßen **D** und **E** (siehe Tabelle) mit einer Zwinge am Tor befestigt werden.

Vor der endgültigen Befestigung:

1. prüfen, ob der Toröffner beim Schließen perfekt horizontal bleibt (**Abb.4**);
2. das Tor von Hand öffnen und schließen, um zu prüfen, ob die Bewegung regelmäßig ist;
3. den Toröffner entfernen und den vorderen Bügel anschweißen (47).

Befestigung hinten des Toröffners (Abb.5)

MOBY über die Gabel (46) mit der Schraube (55), der Unterlegscheibe (59) und der Mutter (61) am Bügel (45) befestigen; die Mutter zuerst ganz anschrauben, dann um ca. 1/10 Umdrehung lockern, um ein gewisses Spiel zwischen den Teilen zu ermöglichen.

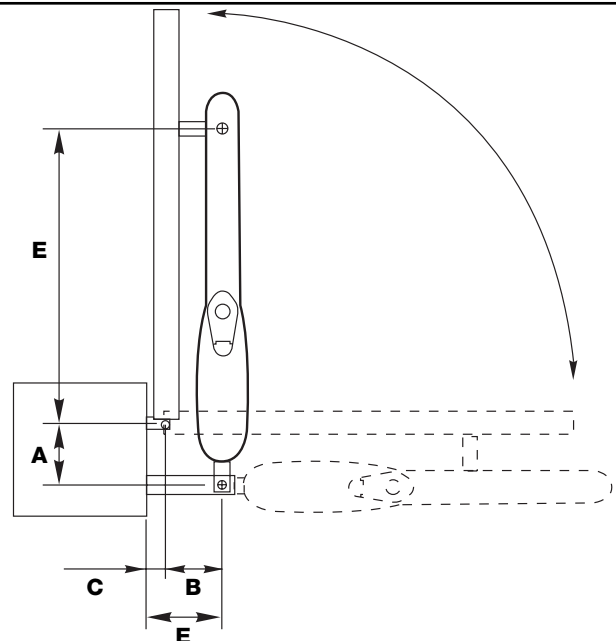
Befestigung vorne des Toröffners (Abb.6)

Die vordere Gabel (34) von MOBY in den vorderen Bügel (47) einstecken und mit der Schraube (56) und der Unterlegscheibe (60) blockieren.

MB4005	MB4015	MB4024	MB4605	MB4615	MB4006	MB5015	MB5024	MB5615	MB5016	
D= 740mm					D= 710mm		D= 880mm		D= 850mm	
A	MB4005	MB4015	MB4024	MB4605	MB4615	MB4006	MB5015	MB5024	MB5615	MB5016
100mm			E= 625mm			E= 595mm		E= 775mm		E= 745mm
110mm			E= 615mm			E= 585mm		E= 765mm		E= 735mm
120mm			E= 605mm			E= 575mm		E= 755mm		E= 725mm
130mm			E= 600mm			E= 570mm		E= 750mm		E= 720mm
140mm			E= 590mm			E= 560mm		E= 740mm		E= 710mm
150mm			E= 580mm			E= 550mm		E= 730mm		E= 700mm
160mm			E= 570mm			E= 540mm		E= 720mm		E= 690mm
170mm			E= 560mm			E= 530mm		E= 710mm		E= 680mm
180mm			E= 550mm			E= 520mm		E= 700mm		E= 670mm
190mm			E= 540mm			E= 510mm		E= 690mm		E= 660mm
200mm			E= 530mm			E= 500mm		E= 680mm		E= 650mm

2.3.3) Öffnung des Tors nach außen

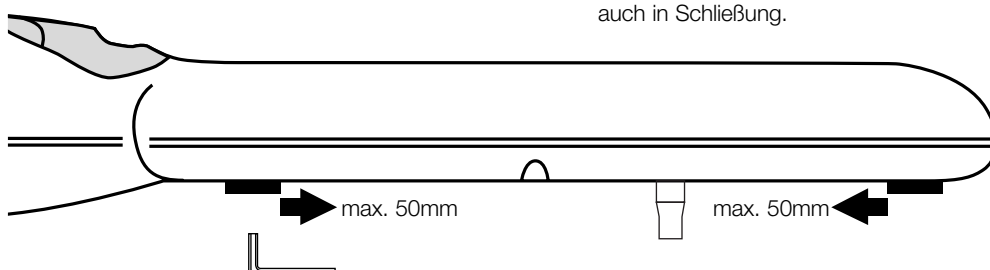
Um eine korrekte Bewegung zu ermöglichen, könnte der Gebrauch eines längeren Bügels (PLA6, Optional), wie in der Abbildung dargestellt, notwendig sein.



2.4) Einstellung des Endschalters

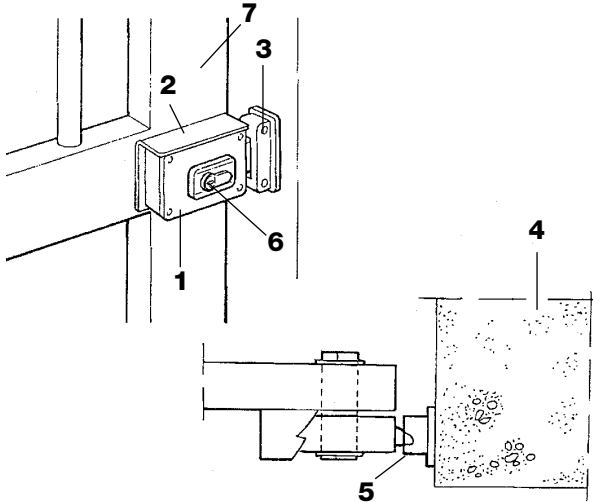
Mit dem Endschalter kann die Anhaltstellung des Tors eingestellt werden, wodurch der Gebrauch von Endschlägen und ein Aufprallen des Tors auf denselben vermieden wird. Gleichzeitig wird die Spannung zum Motor durch einen Mikroschalter abgeschaltet.

- A) Den Toröffner entriegeln (siehe Abschnitt 5)
- B) Die Schraube (54) lockern
- C) Das Tor bis zur gewünschten Stellung öffnen
- D) Dann die Endschaltersperre durch Betätigung der Schraube bis zum gewünschten Punkt einstellen
- E) Die Schraube (54) anziehen
- F) Die Modelle **MB4006** und **MB5016** haben den Endschalter auch in Schließung.

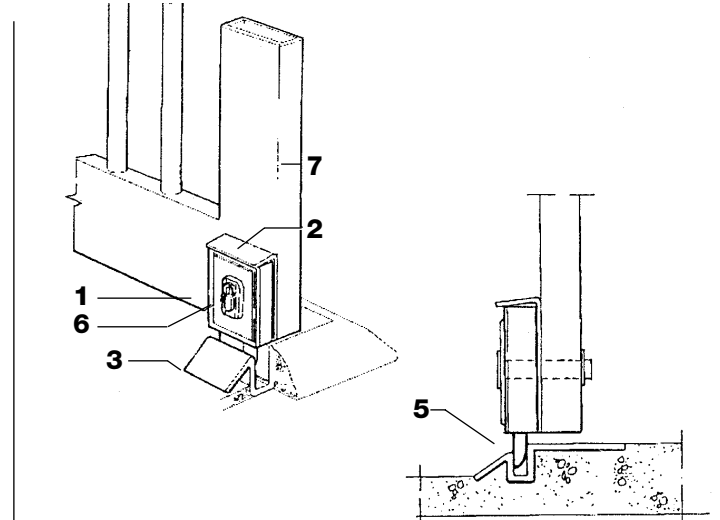


2.5) Montage des Elektroschlusses (Optional)

- 1 Elektroschloss
- 2 Befestigungsplatte für Elektroschloss (angeben, ob horizontal oder vertikal)
- 3 Riegeleinspannung
- 4 Anschlag für Einspannung
- 5 Riegel
- 6 Durchgehendes Schlüsselloch
- 7 Tor

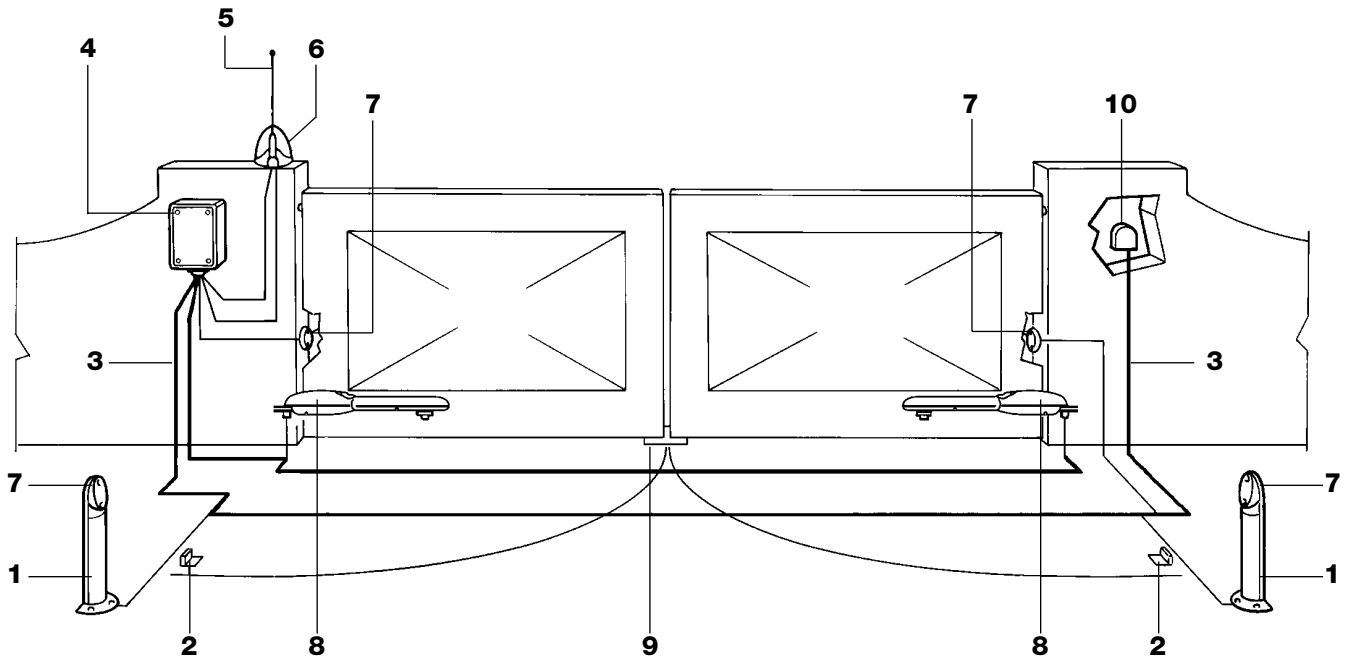


Horizontale Befestigung (für einen Torflügel)



Vertikale Befestigung (für zwei Torflügel)

2.6) Typische Anlage



- 1 Standsäule für Photozellen
- 2 Paar Anschläge in Öffnung
- 3 Netzstromlinie
- 4 Steuerung
- 5 Antenne
- 6 Blinkleuchte
- 7 Photozelle
- 8 Toröffner MOBY
- 9 vertikales Elektroschloss
- 10 Schlüsseltaster oder drahtloses digitales Codeschloss

* installieren, falls die nicht selbsthemmenden Model MB4605 und MB4615 benutzt werden oder falls jeder Torflügel länger als 3 m ist.

2.7) Elektrische Anschlüsse

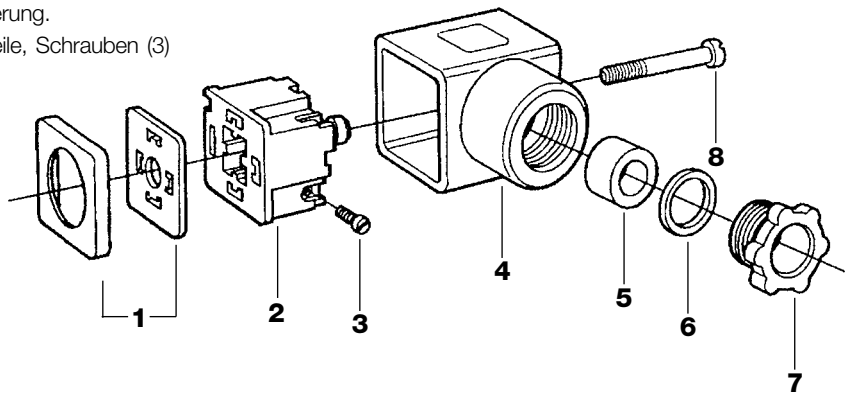
Anschluss am Verbinder

Der Verbinder wird bereits montiert geliefert und befindet sich im unteren Teil des Toröffners (siehe Detail 48 in der Ersatzteilliste im Deckel).

Der Verbinder dient für den Anschluss mit der Steuerung.

Die Schraube (8) losschrauben und die anderen Teile, Schrauben (3) inbegriffen, mit einem Schraubenzieher entfernen.

- 1 Dichtungen
- 2 Kontakthalter
- 3 Drahtfeststellschraube
- 4 Schutz
- 5 Kabelhalter
- 6 Unterlegscheibe
- 7 Kabelfeststeller
- 8 Befestigungsschraube

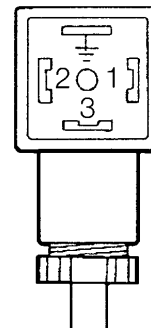


Anmerkung: nur wenn der Verbinder richtig wie auf der Abbildung gezeigt montiert ist, gewährleistet er eine Schutzart IP65 DIN 40050.

Anschlüsse des Motors der Modelle: MB4005 - MB4006 - MB4015 - MB4605 MB4615 - MB5015 - MB5016 - MB5615

Die Drähte des Kabels nach den Anweisungen auf der Abbildung im "Kontakthalter 2" befestigen.

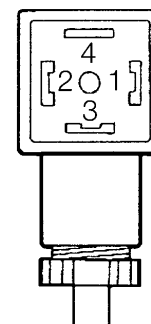
- 1 = öffnet
- 2 = schließt
- 3 = gemein
- ⊥ = Erde



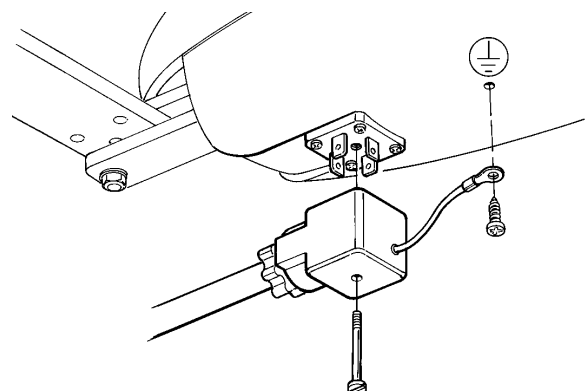
Anschlüsse des Motors der Modelle: MB4024 - MB5024

Die Drähte des Kabels nach den Anweisungen auf der Abbildung im "Kontakthalter 2" befestigen.

- 1 = Motor +
- 2 = Motor -
- 3 = Encoder +
- 4 = Encoder -



⚠ Immer das Erdkabel wie auf der Abbildung gezeigt anschließen, wie von den gültigen Vorschriften vorgesehen (EN 60204 - CEI 64-1 - EN 60335).



3) Manuelle Betätigung oder Entriegelung

Manuelle Betätigung für die Modelle:

**MB4005 - MB4006 - MB4015 - MB4024 - MB5015
MB5016 - MB5024**

Die manuelle Betätigung (**Abb.3**) muss bei Stromausfall oder Störungen der Anlage ausgeführt werden.

Durch die manuelle Betätigung wird sich der Toröffner nur, falls korrekt und mit den Original-Zubehörteilen montiert, frei bewegen.

Manuelle Betätigung für die nicht selbsthemmenden Modelle:

MB4605 - MB4615 - MB5615

Bei diesen Modellen ist eine Entriegelung des Toröffners nicht notwendig, damit das Tor von Hand geöffnet werden kann (es ist aber sicherzustellen, ob das Elektroschloss entriegelt ist); es genügt, das Tor mit einer gewissen Kraft an seinem Ende anzuschieben.

4) Prüfung

Die Prüfung der ganzen Anlage muss von erfahrenem Fachpersonal ausgeführt werden, das die erforderlichen Tests je nach vorhandenem Risiko festzulegen hat.

Für die Prüfung von MOBY ist wie folgt vorzugehen:

- das Tor schließen;
- die Spannungsversorgung zur Steuerung abschalten;
- den Toröffner entriegeln;
- das Tor in seinem ganzen Lauf von Hand öffnen;
- prüfen, ob das Tor während seiner Bewegung keinen Reibungen unterliegt;
- prüfen, ob sich das Tor nicht bewegt, wenn es entriegelt ist und an einer beliebigen Stelle angehalten wird;

- prüfen, ob die Sicherheitssysteme und die mechanischen Anschläge in gutem Zustand sind;
- prüfen, ob die Schraubverbindungen fest angezogen sind;
- prüfen, ob die Mutter und die gewalzte Schraube mit Innengewinde gut eingefettet sind;
- prüfen, ob die Photozellen sauber sind;
- nach den Prüfungen den Toröffner wieder verriegeln und die Steuerung mit Spannung versorgen;
- MOBY ist nicht mit Drehmomentregelung versehen, diese Regelung wird daher der Steuerung anvertraut;
- die Aufprallkraft messen, wie von den Normen EN12445 und EN12453 vorgesehen.

5) Wartung

MOBY bedarf während seiner Lebensdauer keiner besonderen Wartungseingriffe, trotzdem garantiert eine regelmäßige Wartung mindestens alle 6 Monate eine längere Lebensdauer und ein korrektes und sicheres Funktionieren des Systems.

Die Wartung besteht aus einer Wiederholung des Prüfverfahrens.

5.1) Entsorgung

MOBY besteht aus verschiedenen Werkstoffen, die nach den gültigen Vorschriften der einzelnen Länder zu entsorgen sind.

Im Falle eines Abbruchs der Automatisierung gibt es keine besonderen Gefahren oder Risiken aufgrund der Automatisierung selbst.

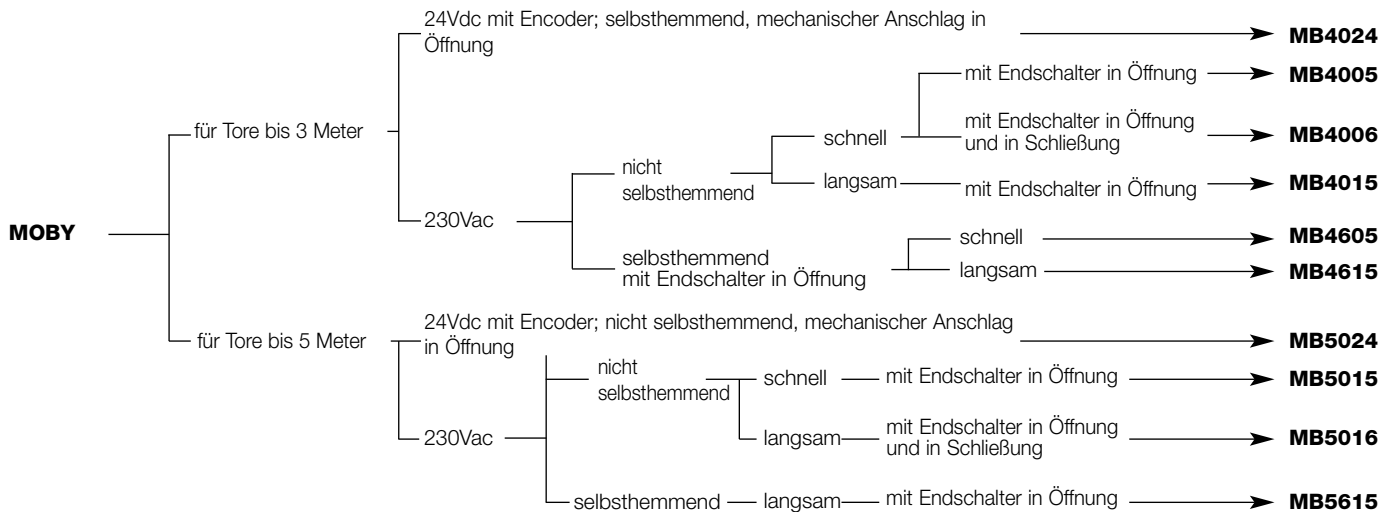
Die Werkstoffe müssen nach Typ getrennt werden (elektrische Teile, Aluminium, Kunststoff, usw.), wenn man sie der differenzierten Müllabfuhr übergeben will.

6) Technische Merkmale

		MB4005	MB4015	MB4605	MB4615	MB4006	MB5015	MB5016	MB5615	MB4024	MB5024
Spannungsversorgung (Vac 50Hz)		230									
	(Vdc)	24									
Strom (A)		1.1		1.3		1.1		1.3		5	
Leistungsaufnahme (W)		230		300		230		300		120	
Kondensator eingeb. (uF)		7									
Schutzart (IP)		44									
Geschwindigkeit (m/s)		0,016	0,013	0,019	0,016		0,013		0,016		
Lauf (Y) (mm)		310				270	470	430	470	310	470
Max. Schub (N)		2000									
Betriebstemperatur (°C Min/Max)		-20 ÷ +50									
Wärmeschutz (°C)		140									
Arbeitszyklen (%)		30									
Gewicht (kg)		6					7			6	7

D

6.1) Modelle und Merkmale



**Toröffner
für Flügeltore**



D

moby

Anweisungen und Hinweise für den Benutzer des Toröffners MOBY

Wir danken Ihnen, dass Sie ein Nice Produkt für Ihre Automatisierung gewählt haben!

Nice S.p.A. stellt Komponenten für die Automatisierung von Toren, Türen, Jalousien und Markisen her: Getriebemotoren, Steuerungen, Fernbedienungen, Blinkleuchte, Photozellen und andere Zubehörteile.

Nice verwendet nur Qualitätswerkstoffe und -bearbeitungen und ist, da sie ihrer Tätigkeit mit Leib und Seele gewidmet ist, immer auf der Suche nach neuen Lösungen, um den Gebrauch der hergestellten Geräte, die von der Technik, dem Aussehen und der Ergonomie her besonders gepflegt sind, so einfach wie möglich zu machen: unter den zahlreichen Nice Produkten wird Ihr Installateur bestimmt das für Sie richtige gewählt haben.

Nice ist aber nicht der Hersteller Ihrer Automatisierung, ein Ganzes, das sich aus Analysen, Bewertungen, Auswahl der verschiedenen Teile und Durchführung der Anlage durch Ihren Vertrauensinstallateur ergibt.

Jede Automatisierung ist einzigartig, und nur Ihr Installateur besitzt die Erfahrung und Professionalität, die notwendig sind, um eine Anlage auszuführen, die Ihrem Bedarf entspricht, sicher und dauerhaft zuverlässig, und vor allem fachgerecht gemacht, d.h. den gültigen Vorschriften entsprechend.

Eine Automatisierungsanlage ist bestimmt bequem, aber auch ein wertvolles Sicherheitssystem, und mit wenigen, einfachen Maßnahmen dauert sie lange Jahre.

Auch wenn Ihre Automatisierung den Sicherheitsanforderungen der Vorschriften gerecht wird, ist dadurch das Vorhandensein eines "Restrisikos" nicht ausgeschlossen. Damit ist gemeint, dass Gefahren auftreten können, die normalerweise durch einen verantwortungslosen oder sogar falschen Gebrauch verursacht werden. Aus diesem Grund möchten wir Ihnen ein paar Ratschläge geben, wie man sich verhalten soll, um dies zu vermeiden:

- **Lassen Sie sich vom Installateur die Restrisiken erklären**, bevor Sie Ihre Automatisierung zum ersten Mal verwenden. Widmen Sie den Anweisungen und Hinweisen für den Benutzer, **die Ihnen von Ihrem Installateur übergeben werden**, ein paar Minuten Ihrer Zeit. Bewahren Sie die Anweisungen für zukünftige Zweifel auf und übergeben Sie diese einem eventuellen neuen Eigentümer der Automatisierung.
- **Ihre Automatisierung ist ein Gerät, das Ihre Befehle getreu ausführt**; ein verantwortungsloser und unsachgemäßer Gebrauch kann sie gefährlich machen: Bewegungen der Automatisierung sollten Sie besser nicht machen, wenn sich Personen, Tiere oder Gegenstände in ihrem Aktionskreis befinden.

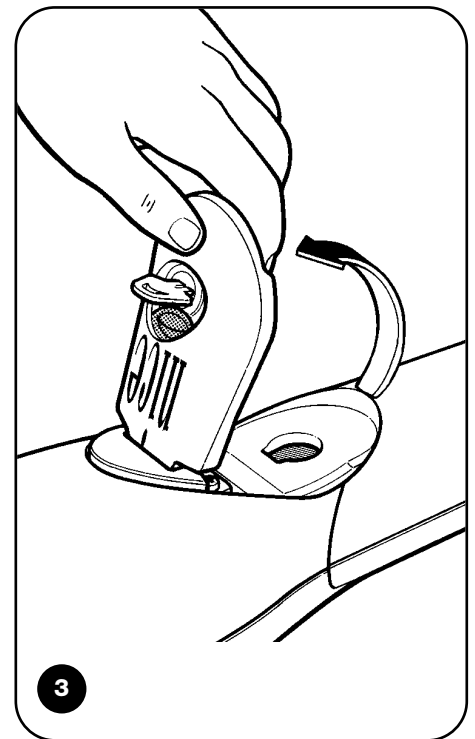
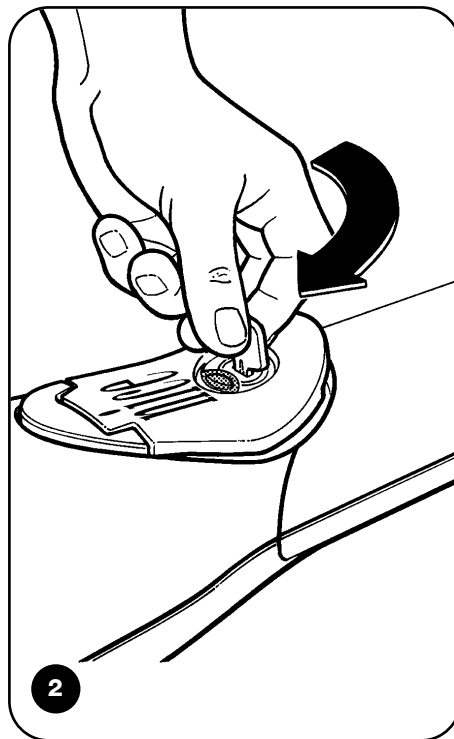
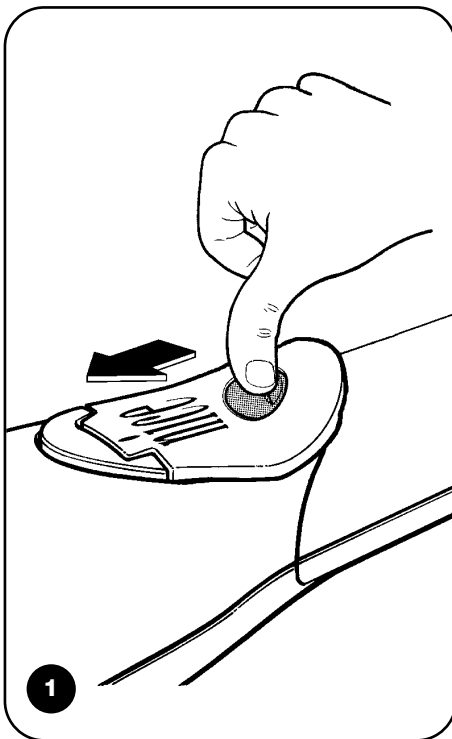
COMPANY
WITH QUALITY SYSTEM
CERTIFIED BY DNV
=ISO 9001/2000=



Nice

- **Kinder:** eine Automatisierungsanlage gewährleistet ein hohes Sicherheitsniveau, da aufgrund ihrer Regelsysteme keine Bewegung stattfinden wird, wenn Personen oder Gegenstände vorhanden sind, was eine immer vorhersehbare und sichere Aktivierung gewährleistet. Aus Vorsicht ist es aber immer besser, Kindern das Spielen in der Nähe der Automatisierung zu verbieten und die Fernbedienungen nicht in ihrer Reichweite zu lassen: **die Automatisierung ist kein Spielzeug!**
- **Störungen.** Schalten Sie die Stromversorgung zur Anlage ab, sobald Sie ein nicht normales Verhalten der Automatisierung bemerken, und entriegeln Sie das Tor von Hand. Versuchen Sie nicht, selbst Reparaturen auszuführen, überlassen Sie diese Ihrem Vertrauensinstallateur: in der Zwischenzeit, nachdem Sie den Toröffner wie später beschrieben entriegelt haben, kann die Anlage wie ein nicht automatisiertes Tor funktionieren.
- **Wartung.** Wie jedes Gerät bedarf Ihre Automatisierung einer regelmäßigen Wartung, damit sie so lange wie möglich und vollkommen sicher funktionieren kann. Vereinbaren Sie mit Ihrem Installateur einen Wartungsplan mit periodischer Häufigkeit; Nice empfiehlt bei normalem Gebrauch im Haushalt eine Wartung alle 6 Monate, diese Zeit kann sich aber je nach Verwendung ändern. Kontrollen, Wartungs- und Reparaturarbeiten dürfen nur von

- Fachpersonal ausgeführt werden.
- Auch wenn Sie nach Ihrer Meinung wissen, wie man es macht, sollten Sie Änderungen der Anlage und der programmierten Parameter und Regelungen der Automatisierung unterlassen: diese Verantwortung steht Ihrem Installateur zu.
- Die Endprüfung, die regelmäßigen Wartungen und die eventuellen Reparaturen müssen vom Ausführenden dokumentiert sein, und diese Dokumente muss der Eigentümer der Anlage aufbewahren.
- **Entsorgung.** Versichern Sie sich, dass die Automatisierung am Ende ihrer Lebensdauer von Fachpersonal abgerüstet wird und dass die Werkstoffe gemäß den örtlich gültigen Vorschriften rückgewonnen oder entsorgt werden.
- **Sollte die Automatisierung beschädigt oder nicht mit Strom versorgt sein,** warten Sie auf den Eingriff Ihres Installateurs (oder bis der Strom wieder vorhanden ist, falls die Anlage keine Pufferbatterie hat). Sie können Ihr Tor trotzdem öffnen, wie wenn es ohne Automatisierung wäre. Dazu müssen Sie den Toröffner entriegeln. Die Entriegelungsvorrichtung, die als einziges Teil der Automatisierung vom Benutzer selbst betätigt werden kann, wird von Nice mit besonderer Sorgfalt hergestellt, da wir Ihnen immer einfachste Betätigung ohne Gebrauch von Werkzeugen oder körperlichen Anstrengungen gewährleisten wollen.



1. Die Schutzmembran wie in **Abb. 1** gezeigt wegschieben
2. Den Schlüssel einstecken und gegen den Uhrzeigersinn drehen – siehe **Abb. 2**
3. Den Griff in Pfeilrichtung bis zu dem in **Abb. 3** gezeigten Punkt ziehen
4. Den Torflügel von Hand bis zur maximalen Öffnung oder Schließung schieben
5. Zum Verriegeln, auf umgekehrte Weise vorgehen

Wichtig: falls Ihre Anlage mit einer Fernbedienung ausgestattet ist, die nach einiger Zeit schlechter oder gar nicht funktioniert, so könnte das einfach von der Batterie abhängen (je nach Batterietyp, kann dies nach mehreren Monaten, sogar nach zwei oder drei Jahren der Fall sein). Dass die Batterie fast leer ist, werden Sie am Bestätigungsleuchtmelder merken, der immer weniger oder nur ganz kurz aufleuchtet. Versuchen Sie, die Batterie mit der eines anderen, funktionierenden Senders auszutauschen, bevor Sie sich an Ihren Installateur wenden: es genügt gegebenenfalls, die Batterie mit einer gleichen Typs auszutauschen.

Sind Sie zufrieden? Wenden Sie sich an den gleichen Installateur und an Nice, falls Sie eine weitere Automatisierung in Ihr Haus einbauen wollen – Sie werden sich dadurch die Beratung eines Fachmanns und die hoch entwickeltesten Produkte auf dem Markt zusichern, neben optimalem Betrieb und maximaler Kompatibilität der verschiedenen Automatisierungen.

Wir danken Ihnen, dass Sie diese Ratschläge gelesen haben und wünschen Ihnen maximale Zufriedenheit mit Ihrer neuen Anlage: für jeden gegenwärtigen oder zukünftigen Bedarf können Sie sich mit Vertrauen an Ihren Installateur wenden.

moby

Índice:	pág.		pág.
1	Descripción del producto	3	Maniobra manual o desbloqueo
2	Instalación	4	Ensayo
2.1	Controles preliminares	5	Mantenimiento
2.2	Límites de empleo	5.1	Desguace
2.3	Sujeción	6	Características técnicas
2.3.1	Posicionamiento del estribo trasero	6.1	Modelos y características
2.3.2	Posicionamiento del estribo delantero		
2.3.3	Apertura de la puerta hacia afuera		
2.4	Regulación del fin de carrera		
2.5	Montaje de la electrocerradura (opcional)		
2.6	Instalación típica		
2.7	Conexiones eléctricas		
			Instrucciones y advertencias destinadas al usuario del motorreductor MOBY
			59

Advertencias importantes

Nice les agradece por haber elegido este producto y les invita a leer con mucha atención estas páginas.

Para simplificar el uso de estas instrucciones, hemos tratado de compaginarlas respetando el orden con que se deben ejecutar las diferentes etapas de instalación del equipo.

Es necesario leer con atención las instrucciones y el fascículo adjunto "Advertencias para el instalador" antes de proceder con la instalación, puesto que suministran indicaciones importantes acerca de la seguridad, instalación, uso y mantenimiento.

Todo aquello que no está previsto expresamente en estas instrucciones no está permitido; en efecto, usos no indicados en las instrucciones podrían ser fuentes de averías para el producto y poner en peligro las personas o cosas.

Nice no se asume ninguna responsabilidad por la inobservancia de la buena técnica en la fabricación de las puertas, o por deformaciones que se podrían producir durante el uso.

No instale el producto en lugares con riesgo de explosión.

1) Descripción del producto

MOBY es un motorreductor electromecánico para la automatización de puertas de una o dos hojas para uso residencial.

Se aconseja usar una central NICE para un funcionamiento correcto del motorreductor.

El desbloqueo permite abrir manualmente la puerta.

2) Instalación

2.1) Controles preliminares

Antes de empezar la instalación, es necesario controlar que la estructura sea adecuada, es decir, conforme a las normas vigentes; controle especialmente que:

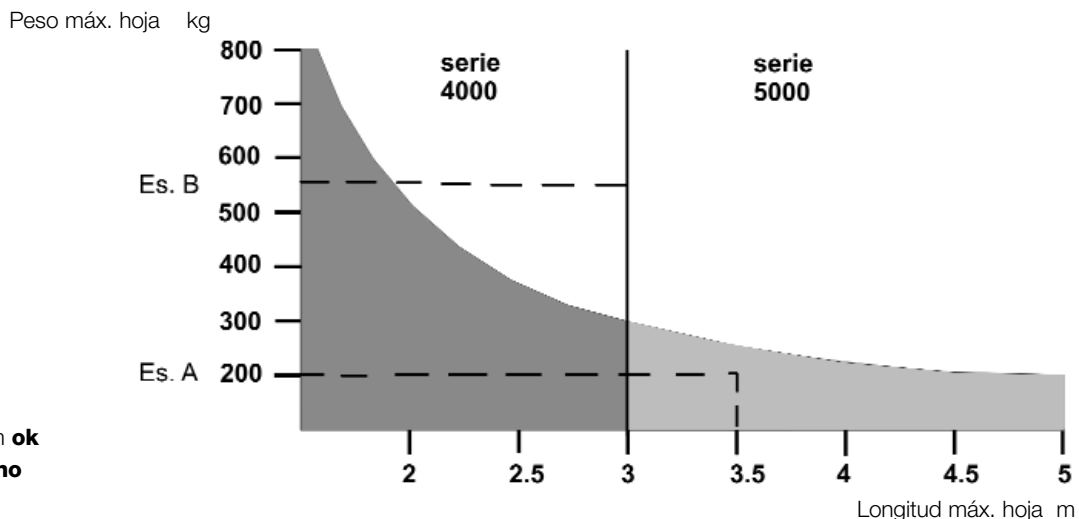
- la puerta no tenga puntos de fricción tanto durante el cierre como durante la apertura;
- la puerta esté bien equilibrada, es decir que al detenerse en cualquier posición, no tienda a moverse;
- el movimiento de la puerta sea silencioso y regular;
- la zona en donde se fijará el motorreductor permita una maniobra manual fácil y segura;
- el paquete esté íntegro, refiérase a la **fig.1**;
- la zona de sujeción sea compatible con las dimensiones del motorreductor (**fig.2**), teniendo en cuenta que la apertura de la puerta y la fuerza que el motor ejerce sobre la misma dependen del punto de sujeción del estribo trasero. Por ello, antes de proceder con la instalación, es necesario leer el párrafo 2.3 "Sujeción", para asegurarse de que la puerta tenga un ángulo de apertura y fuerza que satisfagan las exigencias requeridas.

⚠ Recuerde que MOBY motoriza una puerta (de una o dos hojas) eficiente y segura y no compensa defectos causados por una instalación incorrecta o por un mantenimiento mal hecho.

2.2) Límites de empleo



La forma, altura de la puerta (por ej. ciega) y las condiciones climáticas (por ej. viento fuerte) pueden reducir notablemente los valores indicados en el siguiente gráfico.

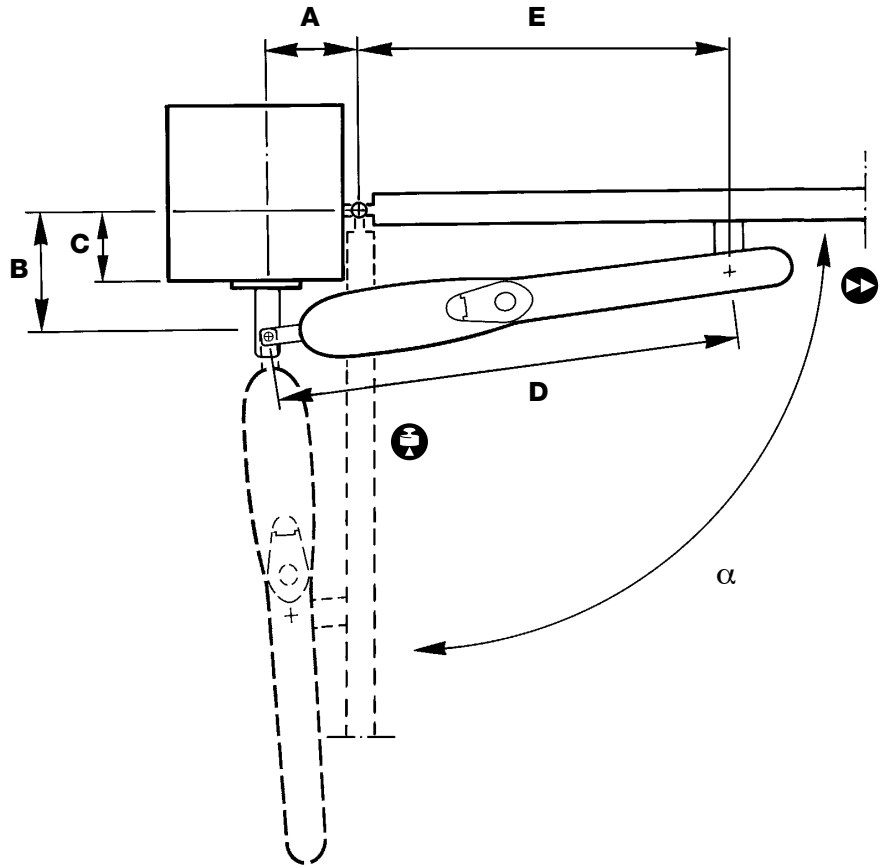
En zonas ventosas se aconsejan los modelos 24Vcc.



2.3) Sujeción

Para efectuar el montaje correctamente siguientes puntos:

- 1) Distancia de la bisagra **C**
desde borde columna
- 2) Ángulo de maniobra α
- 3) Velocidad 
- 4) Fuerza 



2.3.1) Posicionamiento del estribo trasero:

Las operaciones que se han de cumplir son:

- 1.1** Mida en el lugar el valor C (en el ejemplo 70 mm).
- 1.2** Individúe en el gráfico correspondiente al modelo MOBY que se ha de instalar, el valor C y trace una línea horizontal (**fig.8**)
- 1.3** Individúe el valor "B mínimo" del gráfico con la línea horizontal apenas trazada (en el ejemplo 130 mm **fig.9**), la zona de arriba de dicha línea contiene los puntos válidos para la sujeción.
- 2** Existe una relación entre el ángulo de maniobra que puede efectuar la puerta y las posiciones de sujeción (A y B), como muestran los gráficos correspondientes a cada producto en donde zonas de color diferentes representan los ángulos máximos permitidos.

Por ejemplo (**fig.9**), si se desea abrir la puerta $100^\circ \div 110^\circ$, A y B deben individuar un punto en el gráfico que pertenezca a la zona de color correspondiente.

- 3** En el interior de la zona individuada, se recuerda que la fuerza dada a la puerta y el tiempo de apertura y cierre, son directamente proporcionales a los valores A y B, y que para un funcionamiento lineal, dichos valores deben ser similares entre sí; luego, siga la línea de instalación aconsejada.

Ejemplo

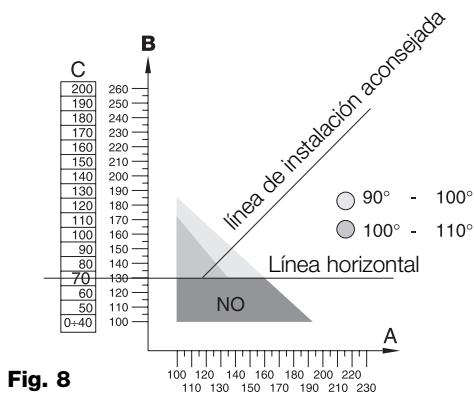


Fig. 8

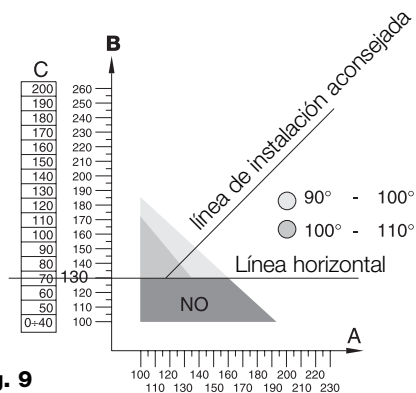
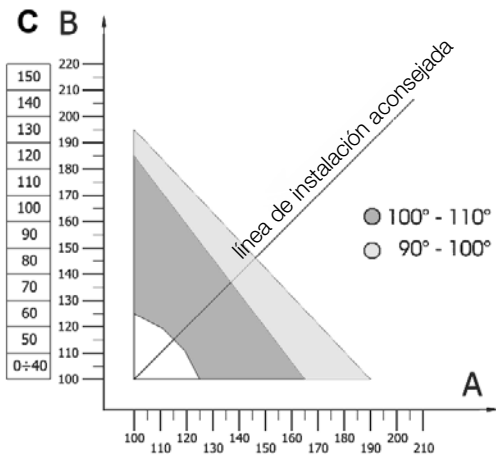
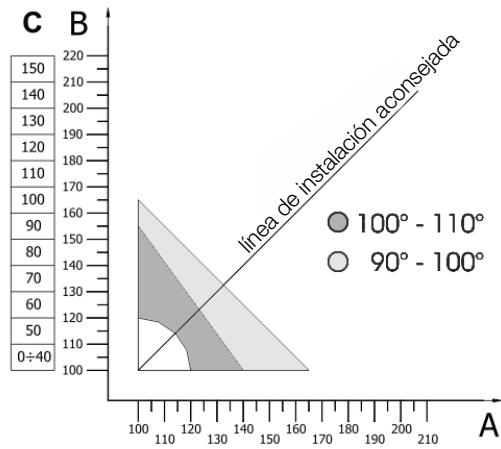


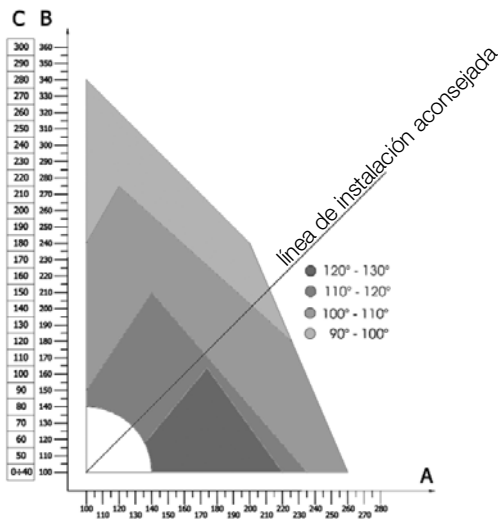
Fig. 9



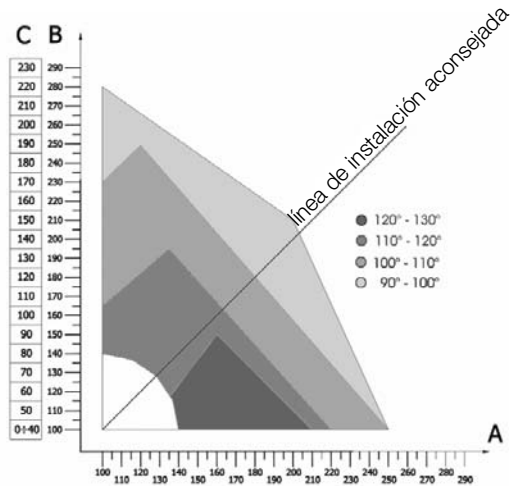
MB4005 - MB4015 - MB4024 - MB4605 - MB4615
fin de carrera de apertura



MB4006
fin de carrera de apertura y cierre

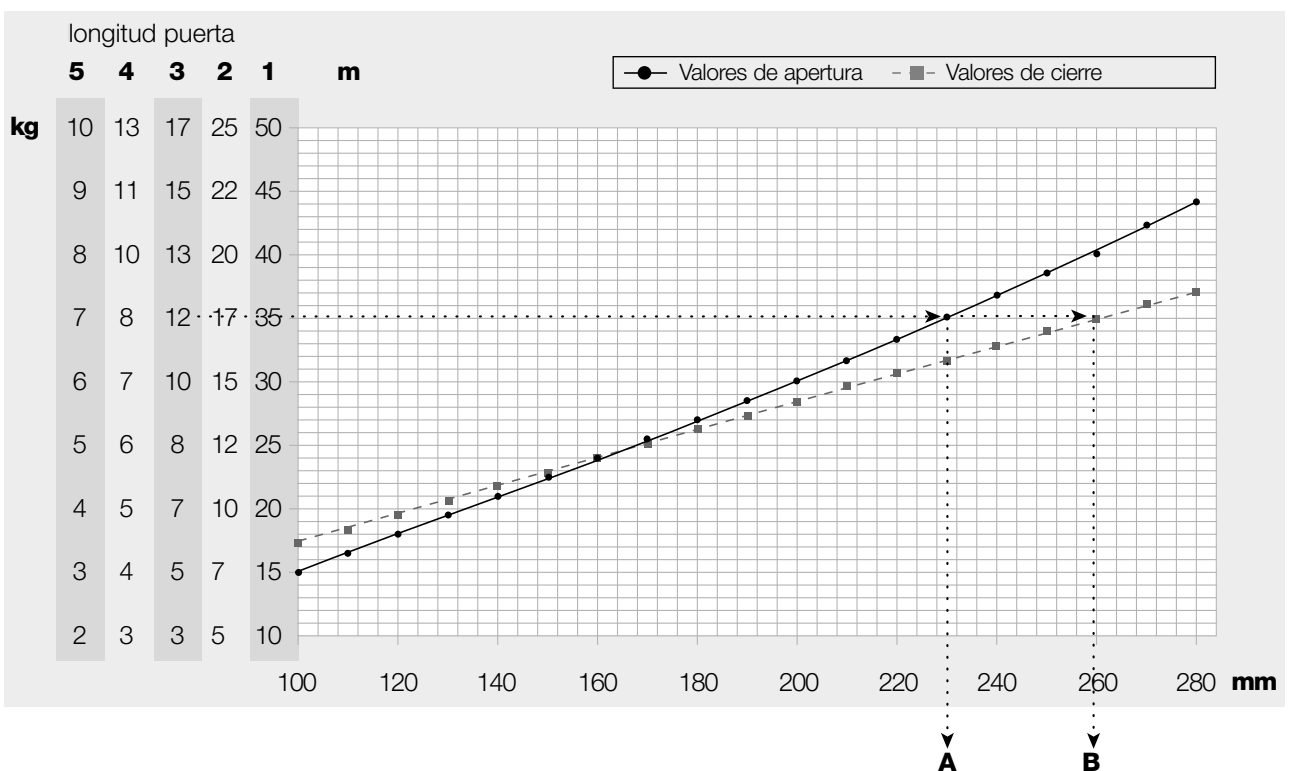


MB5015 - MB5024 - MB5615
fin de carrera de apertura



MB5016
fin de carrera de apertura y cierre

4 El siguiente gráfico es útil para establecer la fuerza máxima en el extremo de la puerta, según los valores A y B.



2.3.2) Posicionamiento del estribo delantero

El estribo delantero (47) se debe colocar con el sujetador correspondiente en la puerta, respetando la cota **D** y **E** (véanse las tablas); antes de proceder con la sujeción definitiva:

1. controle que la línea de cierre del motorreductor sea perfectamente horizontal (**fig.4**).
2. abra y cierre la puerta manualmente para controlar que el movimiento sea regular.
3. extraiga el motorreductor y suelde el estribo delantero (47).

Sujeción trasera del motorreductor (fig.5)

Fije MOBY al estribo (45), por medio de la horquilla (46), con el tornillo (55), la arandela (59) y la tuerca (61); enrosque completamente esta última y luego desenrosque la alrededor de 1/10 de vuelta para permitir un cierto juego entre las piezas.

Sujeción delantera del motorreductor (fig.6)

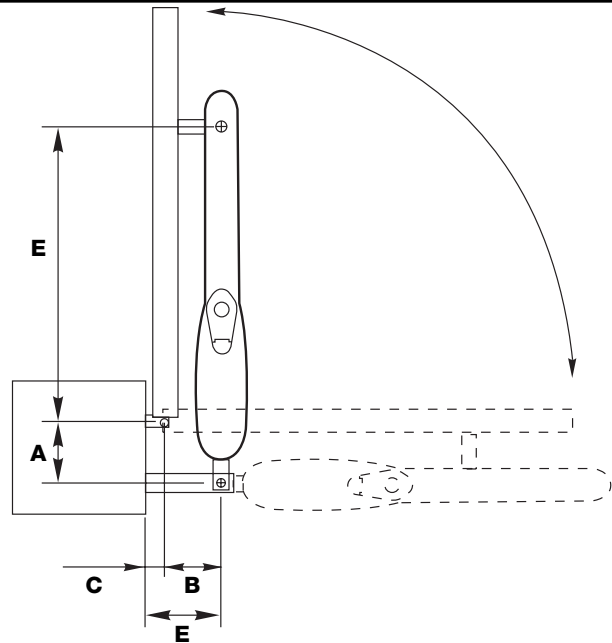
Introduzca la horquilla delantera de MOBY (34) en el estribo delantero (47), bloqueándolo con el tornillo (56) y la arandela (60).

MB4005	MB4015	MB4024	MB4605	MB4615	MB4006	MB5015	MB5024	MB5615	MB5016
D= 740mm					D= 710mm	D= 880mm			D= 850mm

A	MB4005	MB4015	MB4024	MB4605	MB4615	MB4006	MB5015	MB5024	MB5615	MB5016
100mm			E= 625mm			E= 595mm		E= 775mm		E= 745mm
110mm			E= 615mm			E= 585mm		E= 765mm		E= 735mm
120mm			E= 605mm			E= 575mm		E= 755mm		E= 725mm
130mm			E= 600mm			E= 570mm		E= 750mm		E= 720mm
140mm			E= 590mm			E= 560mm		E= 740mm		E= 710mm
150mm			E= 580mm			E= 550mm		E= 730mm		E= 700mm
160mm			E= 570mm			E= 540mm		E= 720mm		E= 690mm
170mm			E= 560mm			E= 530mm		E= 710mm		E= 680mm
180mm			E= 550mm			E= 520mm		E= 700mm		E= 670mm
190mm			E= 540mm			E= 510mm		E= 690mm		E= 660mm
200mm			E= 530mm			E= 500mm		E= 680mm		E= 650mm

2.3.3) Apertura de la puerta hacia afuera

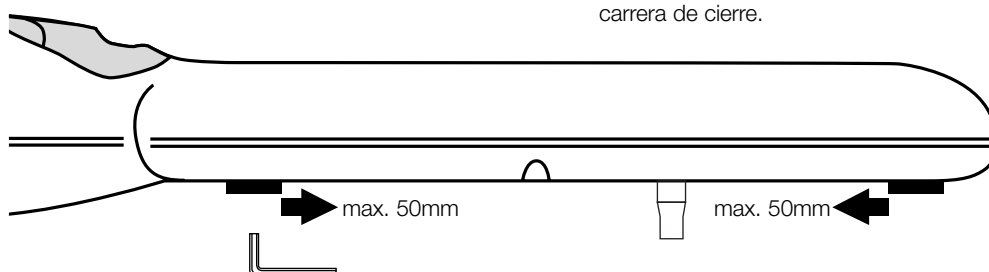
Para permitir un movimiento correcto, ciertas veces podría ser necesario utilizar un estribo más largo (PLA6, opcional), como muestra la figura.



2.4) Regulación del fin de carrera

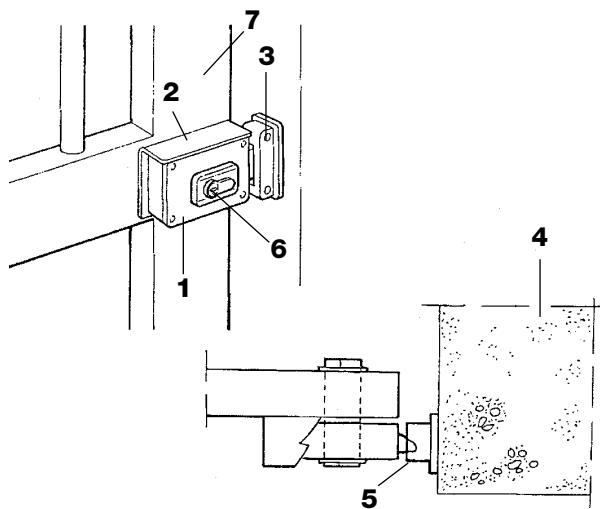
El fin de carrera permite regular la posición de parada de la puerta, así evitando usar los topes mecánicos y que la puerta choque contra los mismos. Simultáneamente, un microinterruptor corta la alimentación al motor.

- A) Desbloquee el motorreductor (véase capítulo 5)
- B) Afloje el tornillo (54)
- C) Abra la puerta hasta la posición deseada
- D) Regule por medio del tornillo la posición del dispositivo de fin de carrera hasta colocarlo en el punto deseado.
- E) Apriete el tornillo (54)
- F) Los modelos **MB4006** y **MB5016** tienen también el fin de carrera de cierre.

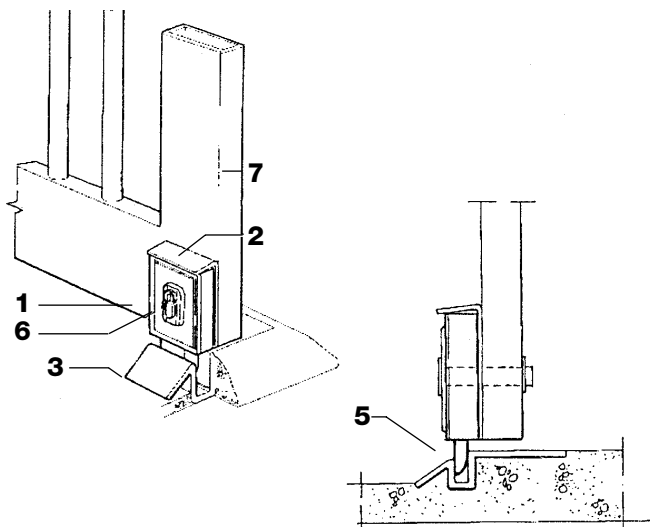


2.5) Montaje de la electrocerradura (opcional)

- 1 Electrocerradura
- 2 Placa de sujeción de la electrocerradura (especificar si es horizontal o vertical)
- 3 Enganche pestillo *
- 4 Tope para enganche
- 5 Pestillo
- 6 Cilindro pasante
- 7 Puerta

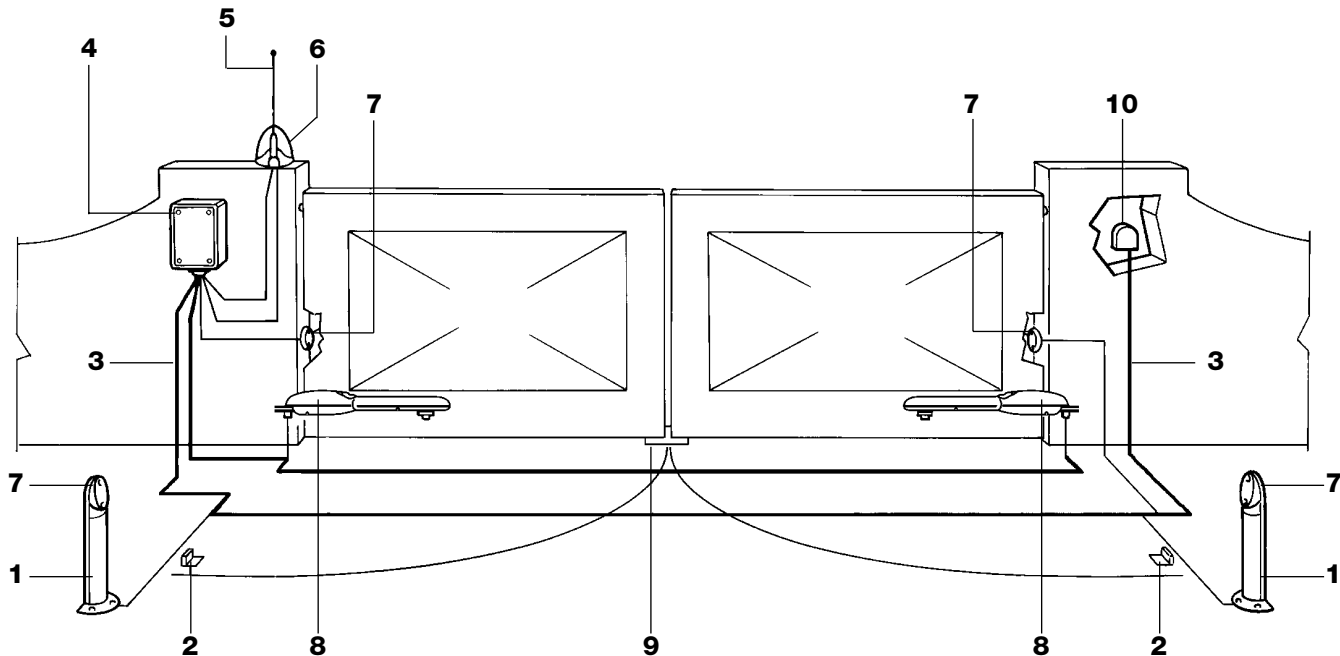


Sujeción horizontal (para una hoja)



Sujeción vertical (para dos hojas)

2.6) Instalación típica



- 1 Columnas para fotocélulas
- 2 Par de topes de apertura
- 3 Línea eléctrica de alimentación
- 4 Central de mando
- 5 Antena
- 6 Luz intermitente
- 7 Fotocélula
- 8 Actuador MOBY
- 9 Electrocerradura vertical*
- 10 Selector de llave o teclado digital

*a instalar si se utilizan los modelos reversibles MB4605 y MB4615, o si cada hoja de la puerta mide más de 3 m de longitud.

2.7) Conexiones eléctricas

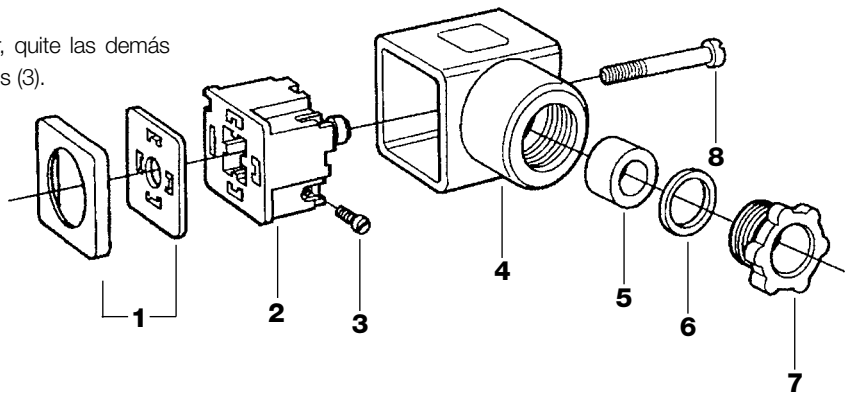
Conexión al conector

El conector se entrega ya montado y se encuentra en la parte inferior del motorreductor (véase pieza 48 del cuadro de recambios adentro de la cubierta).

Sirve para la conexión a la central eléctrica.

Desenrosque el tornillo (8) y, con un destornillador, quite las demás piezas (como muestra la figura), incluidos los tornillos (3).

- 1 Juntas
- 2 Portacontactos
- 3 Tornillo de apriete del hilo
- 4 Protección
- 5 Racor para cable
- 6 Arandela
- 7 Aprietacable
- 8 Tornillo de sujeción

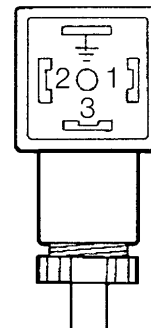


Nota: el conector garantiza una protección IP65 DIN 40050 sólo si está montado correctamente, como indicado en la figura.

Conexiones del motor para los modelos: MB4005 - MB4006 - MB4015 - MB4605 MB4615 - MB5015 - MB5016 - MB5615

Conecte los hilos del cable al "portacontactos 2" siguiendo las indicaciones que muestra la figura.

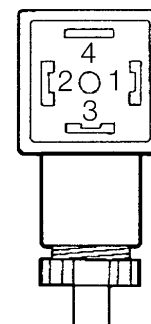
- 1 = abrir
- 2 = cerrar
- 3 = Común
- ⊥ = Tierra



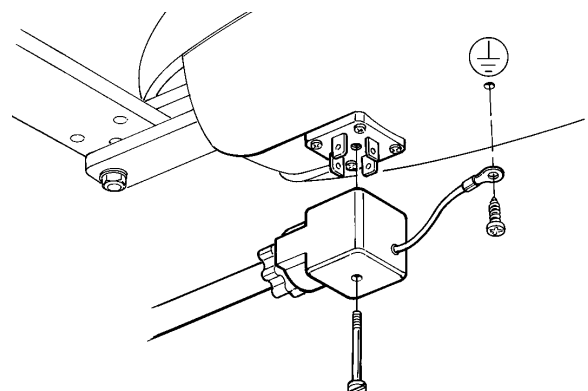
Conexiones del motor para los modelos: MB4024 - MB5024

Conecte los hilos del cable al "portacontactos 2" siguiendo las indicaciones que muestra la figura.

- 1 = Motor +
- 2 = Motor -
- 3 = Encoder +
- 4 = Encoder -



⚠ Recuerde conectar siempre el cable de tierra como previsto por las normativas vigentes (EN 60204 - CEI 64-1 - EN 60335) como muestra la figura.



3) Maniobra manual o desbloqueo

Maniobra manual para los modelos:

**MB4005 - MB4006 - MB4015 - MB4024 - MB5015
MB5016 - MB5024**

La operación manual (**fig.3**) se debe llevar a cabo cuando falta la corriente o cuando hay alguna irregularidad en la instalación.

La maniobra manual permite una carrera libre del motorreductor sólo si está montado correctamente y con los accesorios originales.

Maniobra manual para los modelos reversibles:

MB4605 - MB4615 - MB5615

En estos modelos no se requiere desbloquear el motorreductor para abrir la puerta manualmente (asegúrese de que la electrocerradura esté desbloqueada); es suficiente empujar con una cierta fuerza la puerta en sus extremos.

4) Ensayo

El ensayo de toda la instalación tiene que ser efectuado por personal experto y cualificado, que deberá hacerse cargo de los ensayos requeridos, según el riesgo presente.

Para probar MOBY, siga este procedimiento:

- cierre la puerta;
- corte la alimentación a la central;
- desbloquee el motorreductor;
- abra manualmente la puerta hasta el tope de apertura;
- controle que la puerta durante el movimiento no tenga puntos de fricción;
- controle que la puerta, detenida en cualquier posición y desbloqueada, no tienda a moverse;
- controle que los sistemas de seguridad y los topes mecánicos estén en buenas condiciones;
- controle que las conexiones de tornillos estén bien apretadas;
- controle que la tuerca y el tornillo laminado estén bien engrasados;
- controle que las fotocélulas estén bien limpias;
- concluya los controles bloqueando nuevamente el motorreductor y conectando la central.
- MOBY no está equipado con un dispositivo de regulación de par; por lo tanto dicha regulación la realiza la central de mando.
- mida la fuerza de impacto, como previsto por la normativa EN 12453 y EN 12445.

5) Mantenimiento

MOBY no requiere trabajos de mantenimiento especiales. Un control programado cada seis meses como mínimo permite obtener una mayor duración del motorreductor y un funcionamiento correcto y seguro del sistema.

El mantenimiento consiste en repetir el procedimiento de ensayo.

5.1) Desguace

MOBY está formado de varios tipos de materiales. El desguace de dichos materiales se debe efectuar respetando las normas locales vigentes.

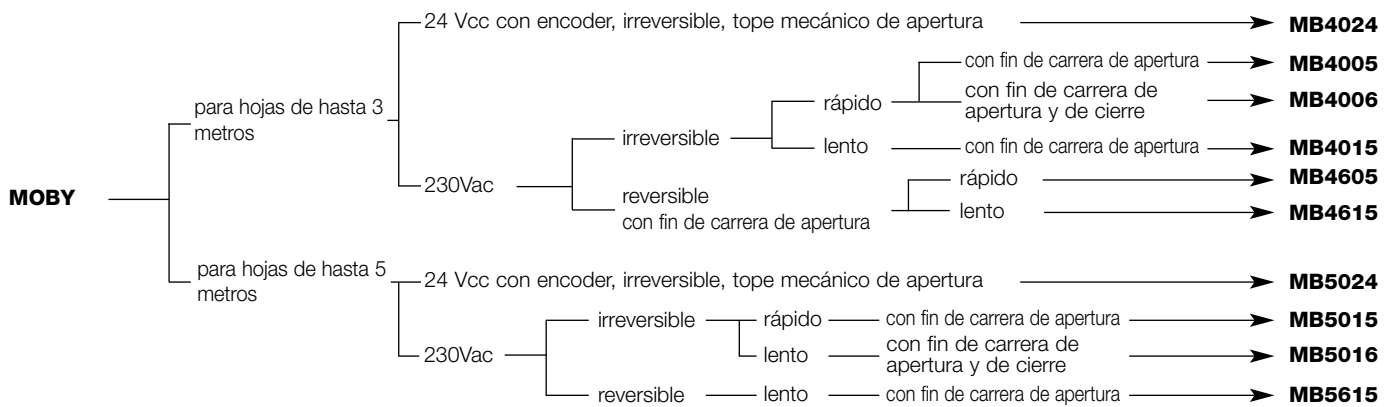
En el caso de desguace de la automatización, no existen peligros o riesgos particulares causados por la misma automatización.

Si se debe realizar una recogida selectiva, es oportuno separar los materiales por tipo (piezas eléctricas, aluminio, plástico, etc.).

6) Características técnicas

		MB4005	MB4015	MB4605	MB4615	MB4006	MB5015	MB5016	MB5615	MB4024	MB5024
Alimentación (Vac 50Hz)		230									
	(Vdc)										
Corriente (A)		1.1		1.3		1.1		1.3		5	
Potencia absorbida (W)		230		300		230		300		120	
Condensador incorp. (uF)		7									
Grado de protección (IP)		44									
Velocidad (m/seg.)		0,016	0,013	0,019	0,016		0,013		0,016		
Carrera (Y) (mm)		310				270	470	430	470	310	470
Empuje máx. (N)		2000									
Temp. de servicio (°C)		-20 ÷ +50									
Protección térmica (°C Mín/Máx.)		140									
Ciclos de trabajo (%)		30									
Peso (kg)		6					7			6	7

6.1) Modelos y características



motorreductor para
puertas de batiente



moby

Instrucciones y advertencias destinadas al usuario del motorreductor MOBY

¡Felicitaciones por haber elegido un producto de automatización Nice!

Nice S.p.A. fabrica componentes para la automatización de cancelas, puertas, persianas y toldos: motorreductores, centrales de mando, radiomandos, luces intermitentes, fotocélulas y accesorios.

Nice emplea sólo materiales de calidad y, es su vocación buscar soluciones innovadoras que simplifiquen al máximo el empleo de sus aparatos, con soluciones técnicas, estéticas y ergonómicas muy estudiadas: en la vasta gama de productos Nice, su instalador habrá elegido sin dudas el producto más adecuado a sus exigencias.

Sin embargo, Nice no es el fabricante de su automatización, que en cambio es una obra de análisis, elección de los materiales y realización de la sistema realizada por su instalador de confianza.

Cada automatización es única y sólo su instalador posee la experiencia y profesionalidad necesarias para ejecutar una instalación según sus exigencias, segura y confiable en el tiempo, y, sobre todo, según las reglas del arte, de acuerdo con las normativas vigentes.

Una instalación de automatización es una comodidad además de un sistema de seguridad válido y, con pocas y simples soluciones, está destinada a durar por mucho tiempo.

Aunque si su automatización cumple con el nivel de seguridad requerido por las normas, no queda excluida la posibilidad de un "riesgo residual", es decir, la posibilidad de que se puedan producir situaciones peligrosas, causadas generalmente por un uso inconsciente o incorrecto; por dicho motivo, deseamos darle algunos consejos sobre el comportamiento que hay que tener para evitar inconvenientes:

- **Antes de usar por primera vez la automatización**, pida explicaciones al instalador sobre el origen de los riesgos residuales, y dedique algunos minutos a la lectura del **manual de instrucciones y advertencias para el usuario** que le ha entregado el instalador. Conserve el manual para cualquier duda que pueda tener en un futuro y para entregarlo junto con la automatización en caso de reventa.
- **Su automatización es una máquina que sigue fielmente sus mandos**; un uso inconsciente e inadecuado puede volverla peligrosa: no accione el movimiento de la automatización si en su radio de acción hay personas, animales o cosas.

COMPANY
WITH QUALITY SYSTEM
CERTIFIED BY DNV
=ISO 9001/2000=

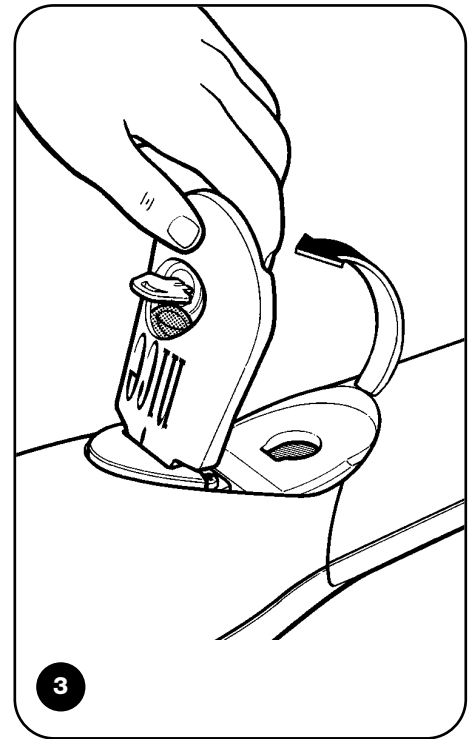
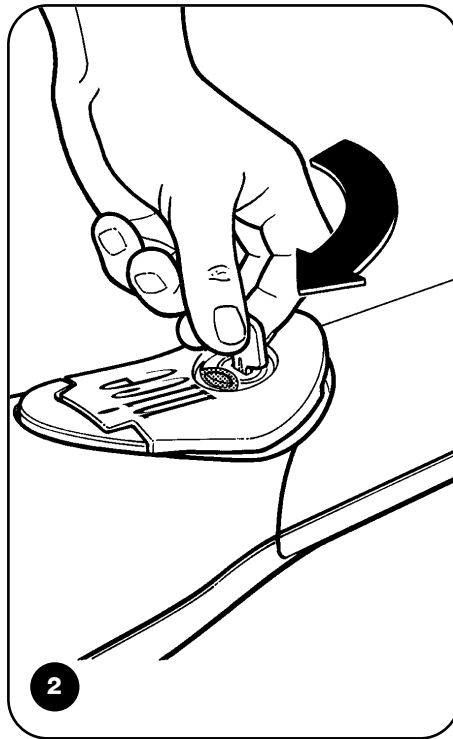
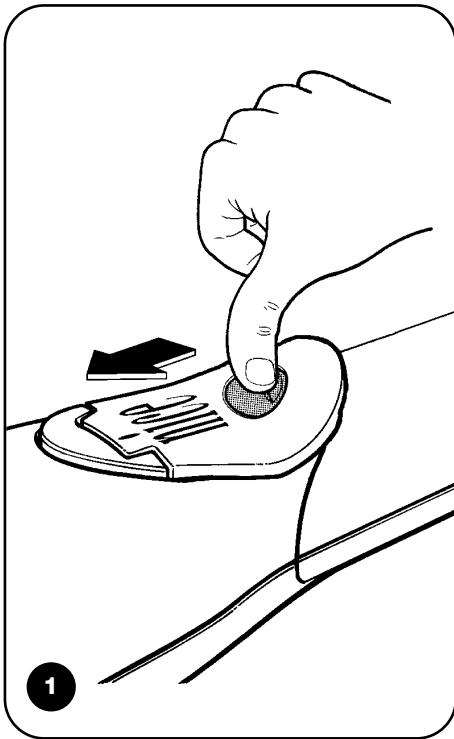


Nice

- **Niños:** una instalación de automatización garantiza un elevado grado de seguridad, impidiendo, con sus sistemas de detección, el movimiento ante la presencia de personas o cosas, así garantizando una activación siempre previsible y segura. De todas maneras, es prudente prohibir a los niños jugar cerca de la automatización y, para evitar activaciones involuntarias, no deje el control remoto al alcance de ellos: **¡no es un juguete!**
- **Irregularidades.** Si bien note algún comportamiento irregular de la automatización, corte la alimentación eléctrica de la instalación y realice el desbloqueo manual. No intente repararla por su cuenta, sino que contacte a su instalador de confianza: Mientras tanto, la instalación puede funcionar como una puerta no automatizada cuando se desbloquea el motorreductor como descrito más adelante.
- **Mantenimiento.** Como toda maquinaria, su automatización requiere un mantenimiento periódico para que pueda funcionar por el mayor tiempo posible y con total seguridad. Estipule con su instalador un plan de mantenimiento periódico; Nice le aconseja realizar un mantenimiento cada 6 meses para un uso residencial normal, pero este período puede variar de acuerdo con la intensidad de uso. Cualquier trabajo de control, mantenimiento o reparación debe ser

llevado a cabo por personal cualificado.

- Aunque si Ud. considera que lo sabe hacer, no modifique la instalación ni los parámetros de programación y regulación de la automatización: la responsabilidad es de su instalador.
- El ensayo final, los trabajos de mantenimiento periódicos y las posibles reparaciones tienen que ser documentados por quien los efectúa y dichos documentos deben quedar en poder del dueño de la instalación.
- **Desguace.** Al final de la vida útil de la automatización, asegúrese de que el desguace sea efectuado por personal cualificado y que los materiales sean reciclados o eliminados de acuerdo con las normas locales vigentes.
- **En caso de roturas o falta de alimentación.** Mientras espera que llegue el instalador (o retorne la energía eléctrica, si la instalación no está equipada con baterías compensadoras), la instalación se puede accionar como una puerta no automatizada. A tal fin, es necesario realizar el desbloqueo manual; dicha operación, que es la única que puede ser efectuada por el usuario de la automatización, ha sido estudiada profundamente por Nice para asegurarle siempre un uso fácil, sin necesidad de herramientas o esfuerzos físicos.



1. Desplace la membrana de protección como muestra la **fig. 1**
2. Introduzca la llave y gírela hacia la izquierda como muestra la **fig. 2**
3. Tire de la manilla acompañándola hacia el sentido de la flecha hasta el punto que muestra la **fig. 3**
4. Abra o cierre manualmente la puerta hasta el fin de carrera
5. Para bloquear, siga los mismos pasos en el orden inverso

Importante: si su instalación está equipada con un radiomando que, transcurrido un cierto tiempo, le parece que no funcionara correctamente, o que directamente no funciona, podría ser que la pila esté agotada (pueden pasar desde varios meses hasta dos o tres años según el tipo de pila). Ud. podrá darse cuenta de que la batería está agotada porque la luz del indicador luminoso de confirmación de la transmisión es débil, no se enciende, o se enciende por poco tiempo. Antes de contactar al instalador, pruebe a cambiar la pila con la de otro transmisor que funcione; si el problema fuera este, sustituya la pila con otra del mismo tipo.

¿Está Ud. satisfecho? Si desea instalar en su casa un sistema de automatización nuevo, diríjase al instalador y a Nice: tendrá la garantía de recibir el asesoramiento de un especialista y los productos más modernos del mercado, el mejor funcionamiento y la máxima compatibilidad de las automatizaciones.

Le agradecemos por haber leído estas recomendaciones y esperamos que Ud. esté satisfecho de su nueva instalación: ante cualquier necesidad, diríjase a su instalador de confianza.

moby

Spis:	pag.		pag.		
1	Opis produktu	62	3	Ruch ręczny i odblokada	68
2	Instalowanie	62	4	Próby ostateczne	68
2.1	Kontrola wstępna	62	5	Czynności konserwacyjne	68
2.2	Zastosowanie	62	5.1	Zbyt	68
2.3	Mocowanie	63	6	Dane techniczne	69
2.3.1	Ustawienie wspornika tylnego	63	5.1	Typy i dane	69
2.3.2	Ustawienie wspornika przedniego	65		Instrukcje i uwagi dla użytkownika motoreduktora MOBY	71
2.3.3	Otwieranie bramy na zewnątrz	65			
2.4	Regulacja wyłącznika krańcowego	65			
2.5	Montaż elektrozamknięcia	66			
2.6	Urządzenie typowe	66			
2.7	Połączenia elektryczne	67			

PL

Ważne uwagi

Nice gratuluje wyboru tego produktu i zaprasza do bardzo uważnego przeczytania tej instrukcji.

Aby ułatwić zrozumienie niniejszych instrukcji, zostały one, w miarę możliwości, podzielone i ustawione według kolejności instalowania całego urządzenia.

Przed przystąpieniem do czynności instalowania, należy uważnie przeczytać instrukcje i załączoną broszurkę: "Uwagi dla instalatora", ponieważ dostarczają ważnych wskazówek związanych z bezpieczeństwem, instalowaniem, użytkowaniem i czynnościami konserwacyjnymi.

Wszystko to, co nie jest przewidziane w poniższych instrukcjach jest niedozwolone.

Szczególnie, użytkowanie niewskazane w poniższych instrukcjach może stać się przyczyną spowodowania szkód w produkcie i stworzyć sytuacje niebezpieczne dla osób i rzeczy.

Nice nie bierze na siebie odpowiedzialności za brak przestrzegania profesjonalności w wykonaniu bram skrzydłowych oraz za deformacje, które mogłyby powstać podczas użytkowania.

Nie instalować produktu w pomieszczeniach zagrożonych wybuchem.

1) Opis produktu

Moby jest motoreduktorem elektromechanicznym automatyzacji bram jedno dwu skrzydłowych do użytku w zespołach mieszkalnych.

Mając na uwadze bezbłędne działanie motoreduktora zaleca się zastosowanie centrali Nice.

Odblokada, wyłącza silnik z korpusu reduktora i służy do ręcznego otwarcia bramy.

2) Instalowanie

2.1) Kontrola wstępna

Przed przystąpieniem do wykonywania jakiegokolwiek czynności należy sprawdzić, czy struktura jest odpowiednia, to znaczy odpowiada aktualnym normom a w szczególności:

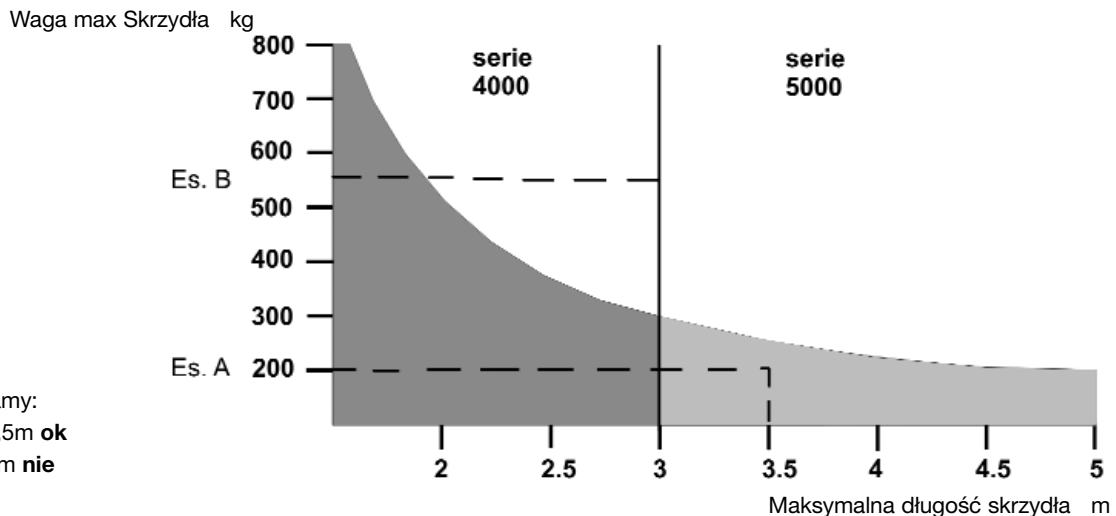
- czy brama nie ma punktów tarcia podczas otwierania i zamykania;
 - czy brama jest dobrze wyważona, to znaczy, gdy zostanie zatrzymana w jakiegokolwiek pozycji nie poruszy się;
 - czy ruch bramy jest cichy i regularny i nie wychodzi z linii;
 - czy miejsce przeznaczone na zainstalowanie motoreduktora jest odpowiednie na wykonanie ruchu odblokady w sposób łatwy i bezpieczny;
 - opakowanie powinno być w stanie nienaruszonym, według **fig.1**;
 - według **fig.2** sprawdzić czy miejsce przeznaczone na instalowanie jest odpowiednie do wymiarów motoreduktora.
- Mając na uwadze, że otwarcie bramy i siła którą silnik przekazuje na jej otwarcie zależy od punktu przymocowania wspornika tylnego, przed przejściem do instalowania, należy przeczytać paragraf 2.3 "Mocowanie" tak, aby sprawdzić czy brama ma kąt otwarcia i siłę wystarczającą na zaspokojenie wymagań.

⚠Przypominamy, że MOBY napędza bramę (jedno lub dwu skrzydłową), jest pewny i wydajny ale nie eliminuje wady błędnego zainstalowania lub źle wykonywanych czynności konserwacyjnych.

2.2) Zastosowanie



Forma, wysokość bramy (np. "ślepa") i warunki klimatyczne (np. silny wiatr) mogą zmniejszyć nawet znacznie przedstawione na wykresie obok wartości.

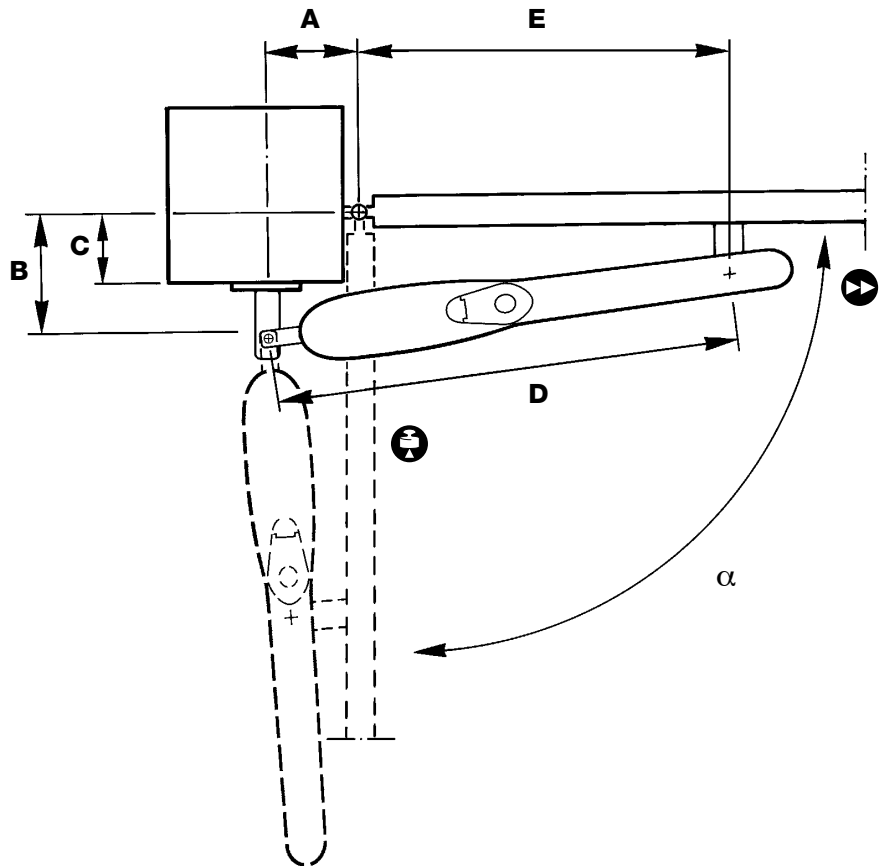
W strefach z dużym wiatrem polecamy typy 24 Vps.



2.3) Mocowanie

Aby wykonać prawidłowy montaż na punkty:

- 1) Występ kolumny **C**
- 2) Kąt ruchu α
- 3) Prędkość 
- 4) Siła 



2.3.1) Ustawienie wspornika tylnego:

W tym celu należy wykonać następujące czynności:

- 1.1 Zmierzyć na miejscu wartość C (na przykładzie: 70mm).
- 1.2 Odczytać na wykresie MOBY do zainstalowania wartość C i zakreślić linię poziomą (fig.8).
- 1.3 Na podstawie wykresu i narysowanej linii (na przykładzie: 130mm (fig.9) określić wartość "B minimum", powierzchnia nad tą linią zawiera punkty właściwe gdzie należy zainstalować wspornik.
- 2 Istnieje zależność między kątem ruchu, który może wykonać brama i pozycjami wsporników (A i B). Wykresy poszczególnych produktów pokazują (paragraf ustawienia wspornika tylnego), gdzie powierzchnie w różnych kolorach przedstawiają maksymalnie dozwolone kąty.

Gdy, na przykład (fig.9), chcemy otworzyć bramę na $100^\circ \pm 110^\circ$, to A i B mają określić punkt na wykresie, który przynależy do odpowiedniego koloru powierzchni.

- 3 Wewnątrz określonej linii, należy pamiętać, że siła skierowana na bramę podczas otwierania i zamykania oraz czas otwierania i zamykania, są proporcjonalne do wartości A i B. Wartości te do działania liniowego mają być podobne do siebie, dlatego też należy kierować się zalecaną linią.

Przykład

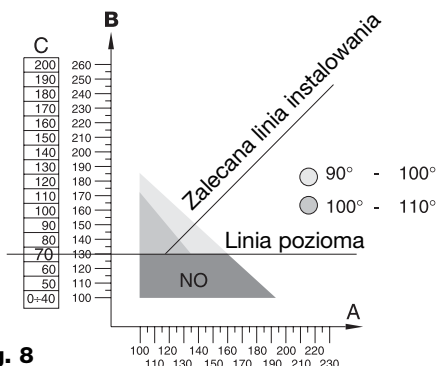


Fig. 8

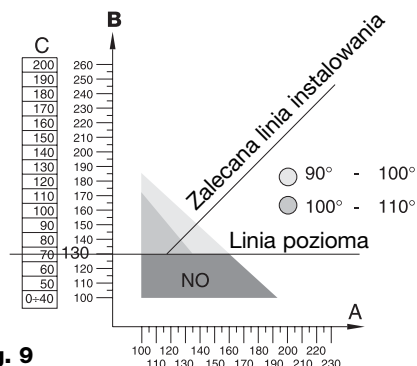
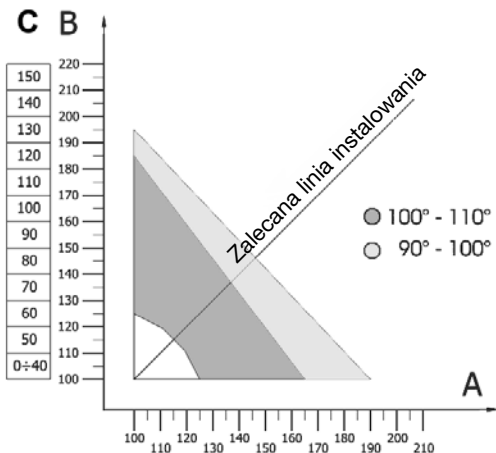
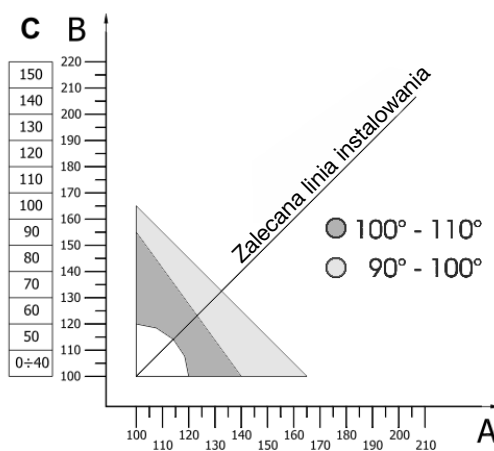


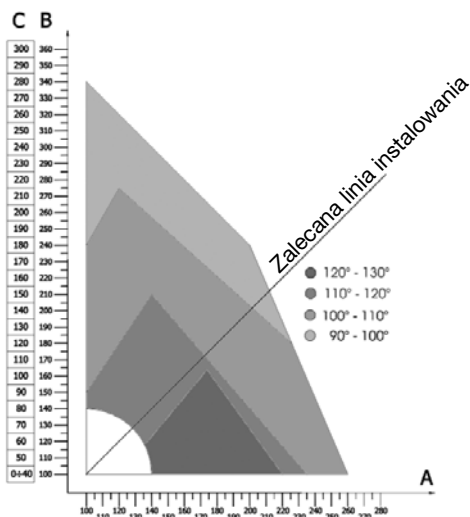
Fig. 9



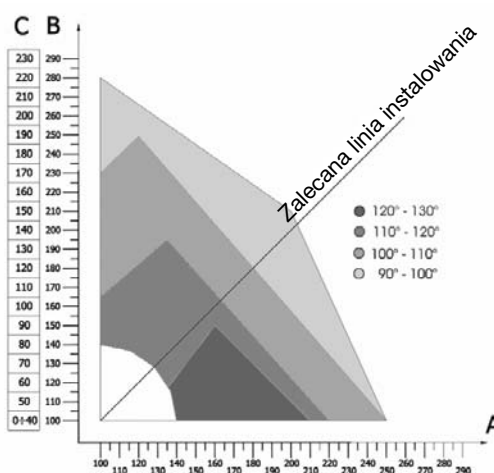
MB4005 - MB4015 - MB4024 - MB4605 - MB4615
wyłącznik krańcowy w otwieraniu



MB4006
wyłącznik krańcowy w otwieraniu i zamykaniu

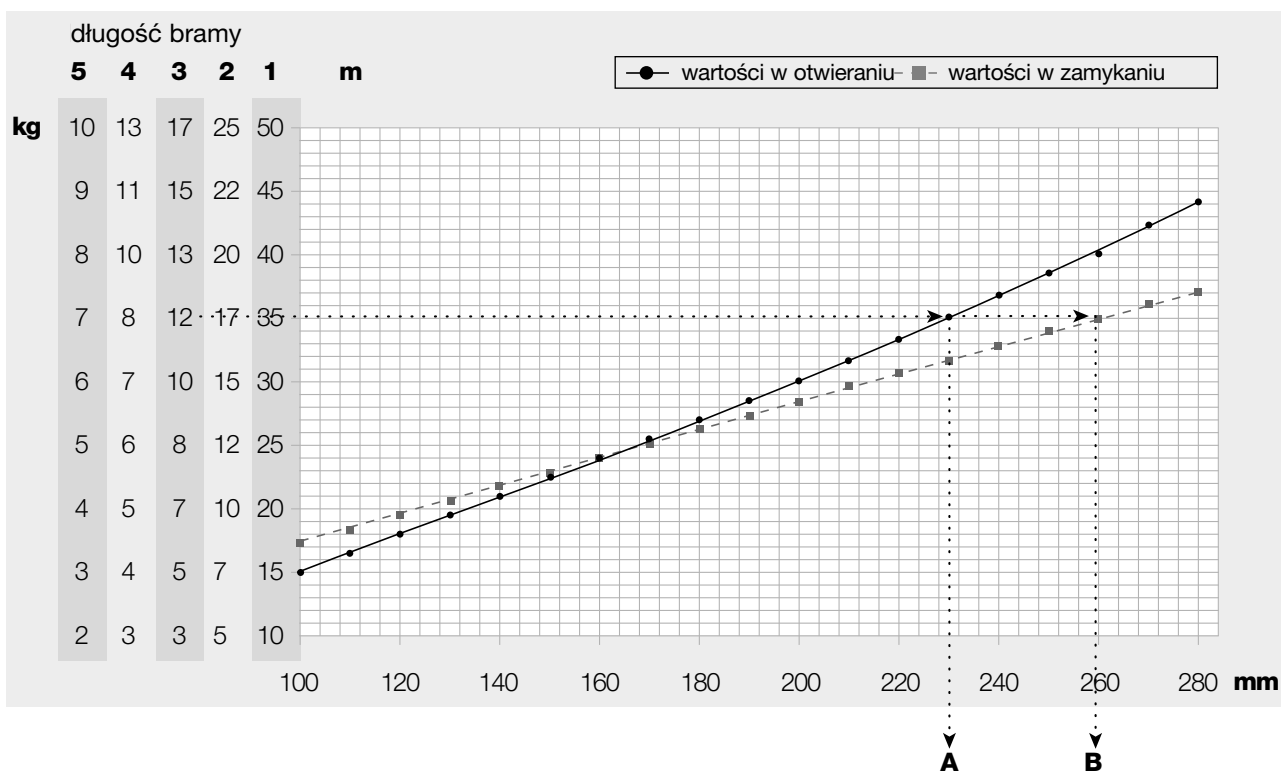


MB5015 - MB5024 - MB5615
wyłącznik krańcowy w otwieraniu



MB5016
wyłącznik krańcowy w otwieraniu i zamykaniu

4 Poniższy wykres służy do ustalenia maksymalnej siły części końcowej bramy w stosunku do wartości A i B.



2.3.2) Ustawianie wspornika przedniego

Przestrzegając wartość **D** i wartość **E** (patrz tabela), wspornik przedni (47) musi być ustawiony do bramy przy pomocy odpowiedniego zacisku;

Przed przejściem do wykonania ostatecznego mocowania należy:

1. Sprawdzić czy linia zamykania motoreduktora jest dokładnie pozioma (fig.4)
2. Otworzyć i zamknąć bramę ręcznie, aby sprawdzić czy ruch jest regularny.
3. Podnieść motoreduktor i przymocować wspornik przedni (47)

MB4005	MB4015	MB4024	MB4605	MB4615	MB4006	MB5015	MB5024	MB5615	MB5016
D= 740mm					D= 710mm	D= 880mm			D= 850mm

A	MB4005	MB4015	MB4024	MB4605	MB4615	MB4006	MB5015	MB5024	MB5615	MB5016
100mm			E= 625mm			E= 595mm		E= 775mm		E= 745mm
110mm			E= 615mm			E= 585mm		E= 765mm		E= 735mm
120mm			E= 605mm			E= 575mm		E= 755mm		E= 725mm
130mm			E= 600mm			E= 570mm		E= 750mm		E= 720mm
140mm			E= 590mm			E= 560mm		E= 740mm		E= 710mm
150mm			E= 580mm			E= 550mm		E= 730mm		E= 700mm
160mm			E= 570mm			E= 540mm		E= 720mm		E= 690mm
170mm			E= 560mm			E= 530mm		E= 710mm		E= 680mm
180mm			E= 550mm			E= 520mm		E= 700mm		E= 670mm
190mm			E= 540mm			E= 510mm		E= 690mm		E= 660mm
200mm			E= 530mm			E= 500mm		E= 680mm		E= 650mm

Mocowanie tylnie motoreduktora (fig.5)

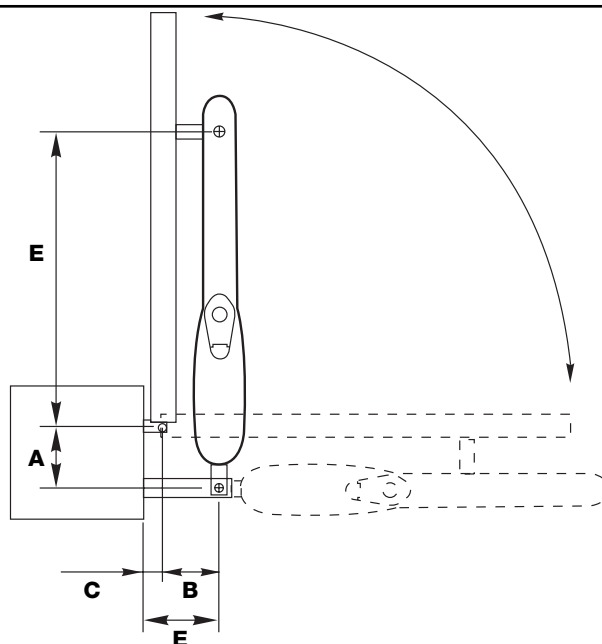
Śrubą (55), podkładką (59) i nakrętką (61) przymocować MOBY do wspornika (45) widełkami (46). Dokręcić nakrętkę do oporu, następnie odkręcić ją na około 1/10 obrotu w celu stworzenia pewnego luzu pomiędzy częściami.

Mocowanie przednie motoreduktora (fig.6)

Założyć widełki MOBY przednie (34) do wspornika przedniego (47) blokując śrubami (56) i podkładką (60).

2.3.3) Otwieranie bramy na zewnątrz

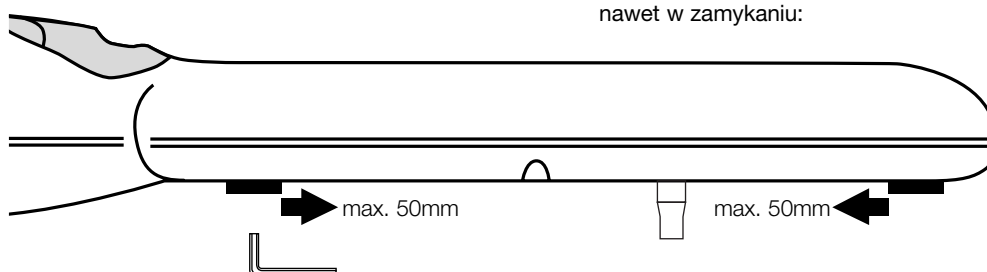
Czasami, aby zagwarantować poprawny ruch, jest konieczne zastosowanie dłuższego wspornika (PLA6 - opcja), zgodnie z tym, jak przedstawiono na figurze.



2.4) Regulacja wyłącznika krańcowego

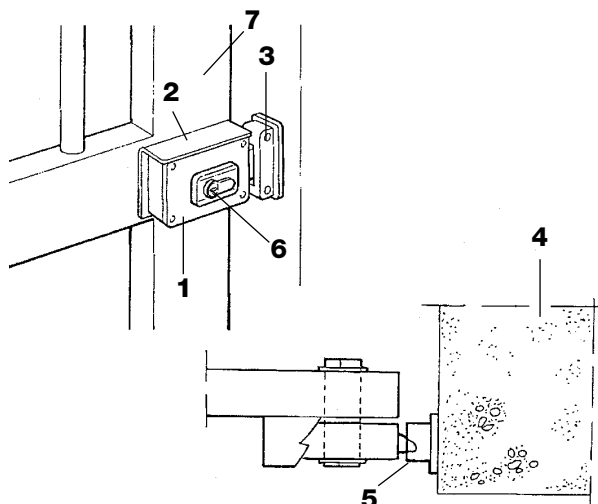
Wyłącznik krańcowy służy do regulacji pozycji zatrzymania bramy, unikając w ten sposób zastosowania blokad i uderzania o nie skrzydeł. Mikroprzełącznik jednocześnie odcina zasilanie silnika.

- A) Odblokować motoreduktor (patrz rozdział 5).
- B) Połuźnić śrubę (54).
- C) Otworzyć bramę do pozycji żądanej.
- D) Śrubą regulować pozycję blokady wyłącznika krańcowego aż do doprowadzenia do żądanego punktu.
- E) Dokręcić śrubę (54).
- F) Typy MB4006 i MB5016 posiadają wyłącznik krańcowy nawet w zamykaniu:

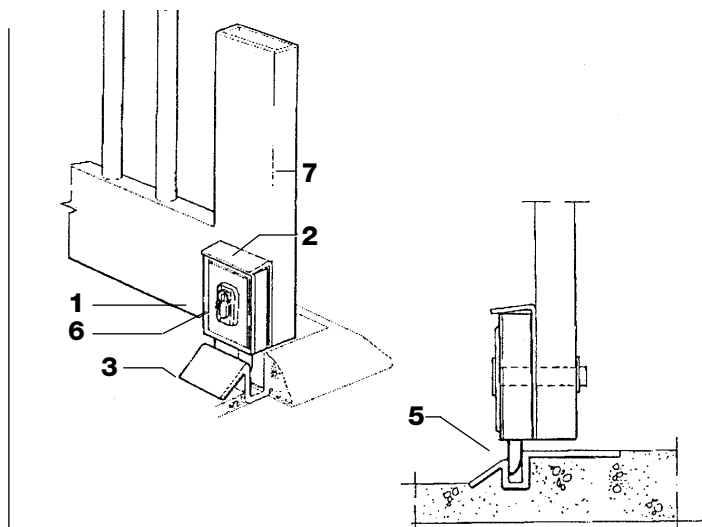


2.5) Montaż elektrozamknięcia (dodatkowa opcja)

- 1 Elektrozasuw
- 2 Płyta do mocowania elektrozamknięcia
(zaznaczyć czy poziome czy pionowe)
- 3 Zaczep na zasuwę*
- 4 Profil złączowy do zaczepu
- 5 Zasuw
- 6 Beczka przelotowa
- 7 Brama

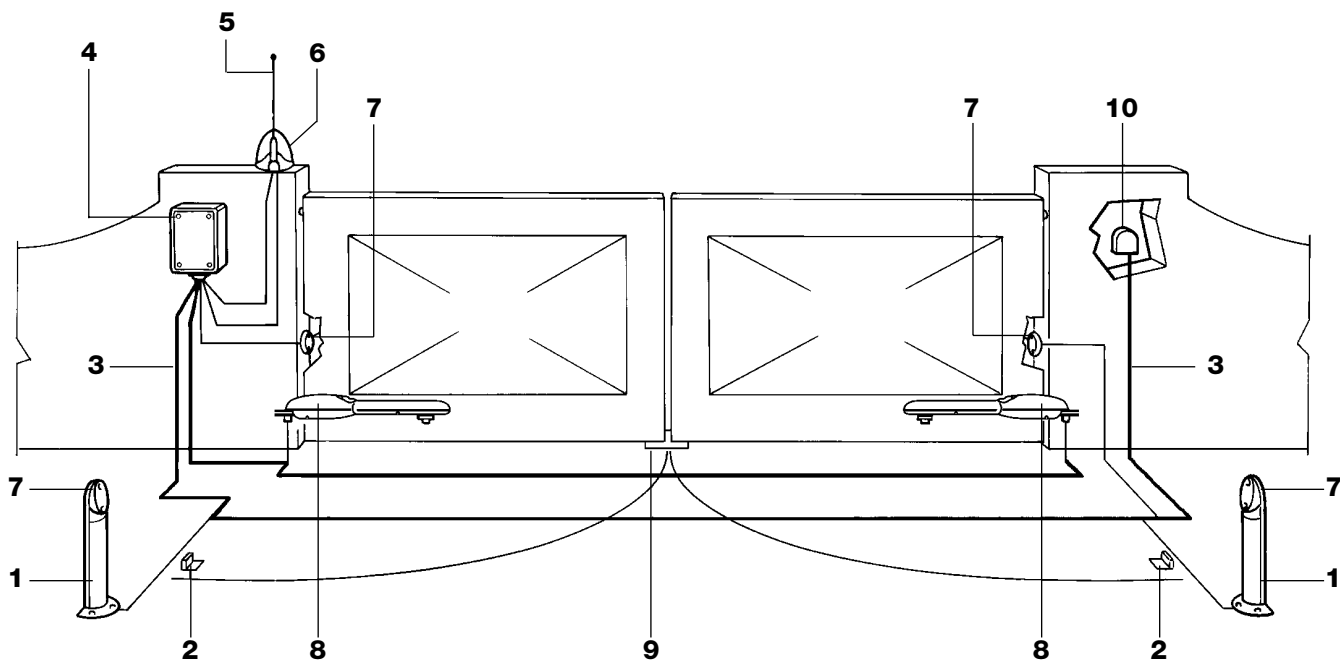


Mocowanie poziome (dla skrzydła)



Mocowanie pionowe (dla dwóch skrzydeł)

2.6) Urządzenie typowe



- 1 Kolumna na fotokomórkę
- 2 Para zatrzymań w otwieraniu
- 3 Linia elektryczna zasilająca
- 4 Centrala sterownicza
- 5 Antena
- 6 Lampa sygnalizacyjna
- 7 Fotokomórka
- 8 Aktuator Moby
- 9 Elektrozamknięcie pionowe*
- 10 Selektor kluczowy lub klawiatura numeryczna

*do zainstalowania gdy używane są typy zmienne: MB4605 i MB4615,
lub gdy brama przekracza 3 m długości każdego pojedynczego
skrzydła.

2.7) Połączenia elektryczne:

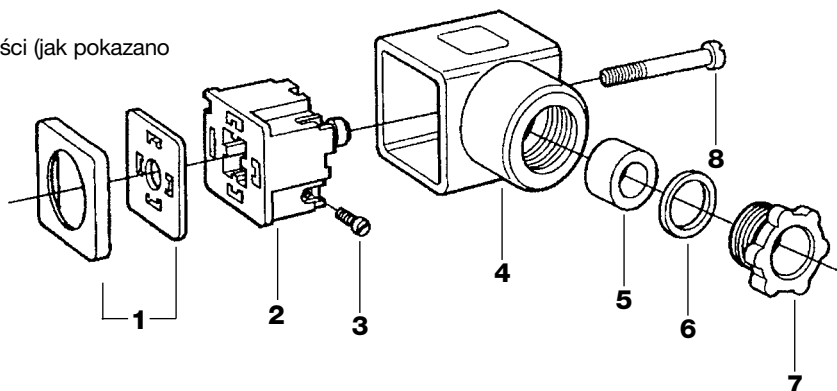
Podłączenie do łącza

Dostarczone łącze jest już zamontowane i znajduje się w części dolnej motoreduktora (patrz szczegół 48 tablicy części zamiennych wewnątrz oprawki).

Służy do połączenia do centrali elektrycznej.

Odkręcić śrubę (8) i ęrubokrętem usunąć inne części (jak pokazano na figurze) wraz ze śrubami (3).

- 1 Uszczelki
- 2 Tabliczka zaciskowa
- 3 Śruba
- 4 Zabezpieczenie
- 5 Przycisk przewodu
- 6 Podkładka
- 7 Zacisk przewodu
- 8 Śruby ustalające



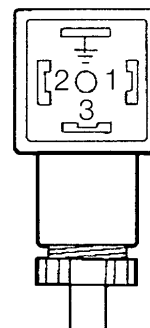
Uwaga: Łącze gwarantuje zabezpieczenie typu IP65 DIN 40050
Tylko wtedy gdy jest poprawnie zamontowane, zgodnie jak przedstawiono na figurze.

Podłączenia silnika do:

MB4005 - MB4006 - MB4015 - MB4605
MB4615 - MB5015 - MB5016 - MB5615

Podłączyć przewody do "tabliczki zaciskowej 2" zgodnie, jak przedstawiono na figurze:

- 1 = Silnik +
- 2 = Silnik -
- 3 = Enkoder +
- ⊥ = Enkoder -

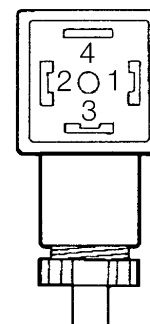


Podłączenia silnika do:

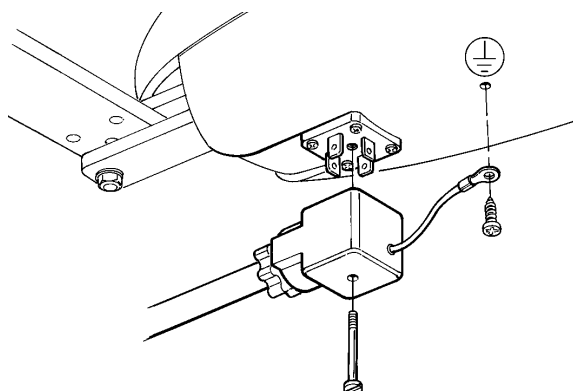
MB4024 - MB5024

Podłączyć przewody do "tabliczki zaciskowej 2" zgodnie, jak przedstawiono na figurze:

- 1 = Silnik+
- 2 = Silnik -
- 3 = Enkoder +
- 4 = Enkoder -



⚠ Należy pamiętać o podłączeniu uziemienia według norm (EN60204 - CEI64-1 - EN60335) i jak przedstawiono na figurze.



3) Ruch ręczny i odblokada

Ruch ręczny do typów:

**MB4005 - MB4006 - MB4015 - MB4024 - MB5015
MB5016 - MB5024**

Ruch bramy należy wykonywać ręcznie (**fig.3**) w przypadku braku prądu lub w przypadku zauważenia nieprawidłowości w urządzeniu.

Ruch ręczny służy do wykonania wolnego biegu motoreduktora tylko wtedy, gdy jest właściwie zamontowany i z oryginalnymi częściami.

Ruch ręczny do typów niezmiennych:

MB4605 - MB4615 - MB5615

W tych modelach, aby otworzyć bramę ręcznie, nie jest konieczne odblokowanie motoreduktora (sprawdzić jednak, czy elektrozamknięcie jest zablokowane): wystarczy pchnąć koniec bramy z pewną siłą.

4) Próby ostateczne

Próby ostateczne całego urządzenia mogą być wykonane tylko przez doświadczony i wykwalifikowany personel, który będzie odpowiedzialny za wykonanie tych prób w obecności niebezpieczeństwa. Próby ostateczne WINGO należy wykonać według poniższej procedury:

- zamknąć bramę;
- odciąć napięcie od centrali;
- odblokować motoreduktor;
- ręcznie otworzyć całkowicie bramę;
- sprawdzić czy brama podczas ruchu nie ma punktów tarcia;
- sprawdzić czy zatrzymana brama w jakimkolwiek punkcie nie porusza się;

- sprawdzić czy systemy bezpieczeństwa są w dobrym stanie;
- sprawdzić czy połączenia śrubowe są dokręcone do oporu;
- sprawdzić czy ślimak i śruba walcowa są dobrze nasmarowane;

5) Czynności konserwacyjne

Moby nie wymaga specjalnych czynności konserwacyjnych podczas jego użytkowania. Okresowe czynności konserwacyjne, co najmniej co 6 miesięcy, gwarantują długie „życie” motoreduktora oraz pewne i bezpieczne funkcjonowanie systemu.

Czynności konserwacyjne polegają na powtórzeniu procedury prób ostatecznych.

5.1) Zbyt

Moby zbudowany jest z różnych rodzajów surowców, które muszą być zbyte we właściwy sposób.

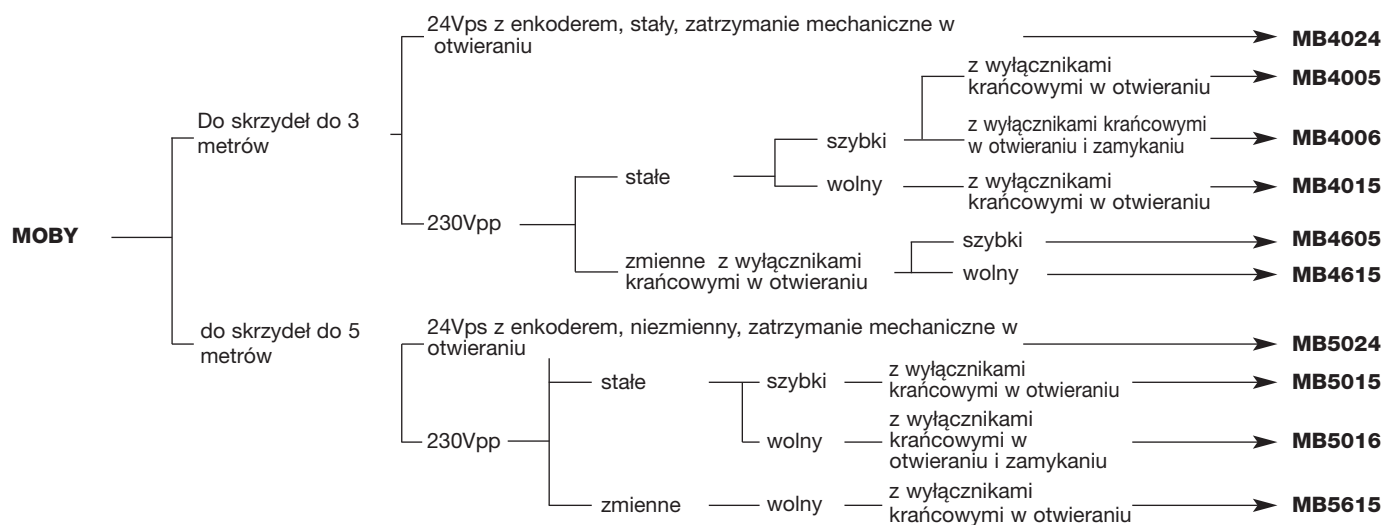
Przy demontażu automatu nie istnieją szczególnie niebezpieczne sytuacje ani zagrożenia z nim związane

Gdzie istnieje możliwość zbytu zróżnicowanego odpadów, należy zasięgnąć informacji o sposobach przerobu i zbytu dzieląc materiał według typologii (części elektryczne, aluminium, plastik, itp.)

6) Dane techniczne

	MB4005	MB4015	MB4605	MB4615	MB4006	MB5015	MB5016	MB5615	MB4024	MB5024
Zasilanie (Vpp 50Hz)	230									
(Vps)	24									
Prąd (A)	1.1		1.3		1.1		1.3		5	
Moc absorbowana (W)	230		300		230		300		120	
Kondensator wbudowany (uF)	7									
Stopień zabezpieczenia (IP)	44									
Prędkość (m/s)	0,016	0,013	0,019	0,016	0,013	0,016				
Bieg (Y) (mm)	310			270	470	430	470	310	470	
Pchnięcie max (N)	2000									
Czas pracy (°C Min/Max)	-20 ÷ +50									
Termo zabezpieczenie (°C)	140									
Cykle pracy (%)	30								80	
Waga (kg)	6				7			6	7	

6.1) Typy i dane





mobyl

PL

Instrukcje i ostrzeżenia przeznaczone dla użytkownika motoreduktorów MOBY

Gratulacje za wybranie do Waszej automatyki produktu Nice!

Nice S.p.A. produkuje elementy do automatyzacji bram, drzwi, rolet, zasłon przeciwsłonecznych: motoreduktory, centrale sterowania, sterownie radiowe, migacze, fotokomórki oraz osprzęt.

Nice wykorzystuje materiały i obróbkę wysokiej jakości, a poprzez poszukiwania rozwiązań innowacyjnych, które do maximum upraszczają korzystanie z urządzeń, wyszukiwanych rozwiązaniach technicznych, estetycznych, ergonomicznych: w całej gamie Nice. Wasz instalator z pewnością dokona wyboru produktu najbardziej odpowiadającego Waszym wymaganiom.

Nice jednakże nie jest producentem Waszej automatyzacji, która jest natomiast wynikiem analizy, oceny, wyboru materiałów i wykonania urządzenia przez Waszego zaufanego instalatora.

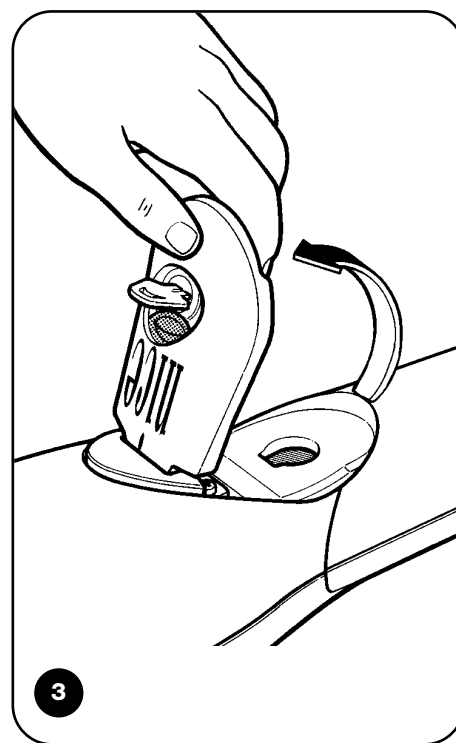
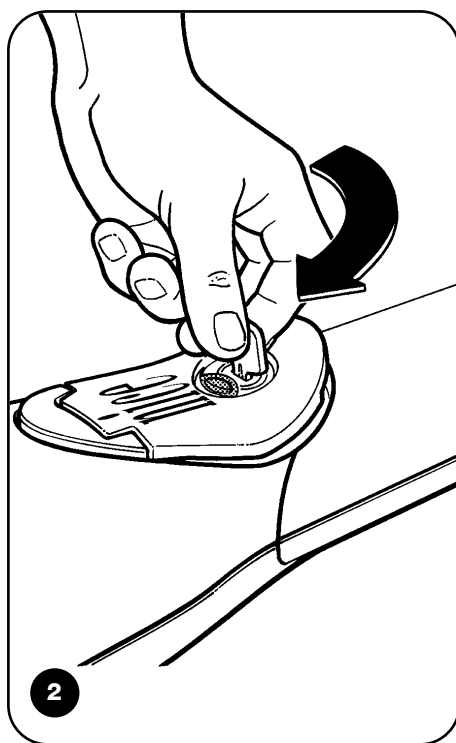
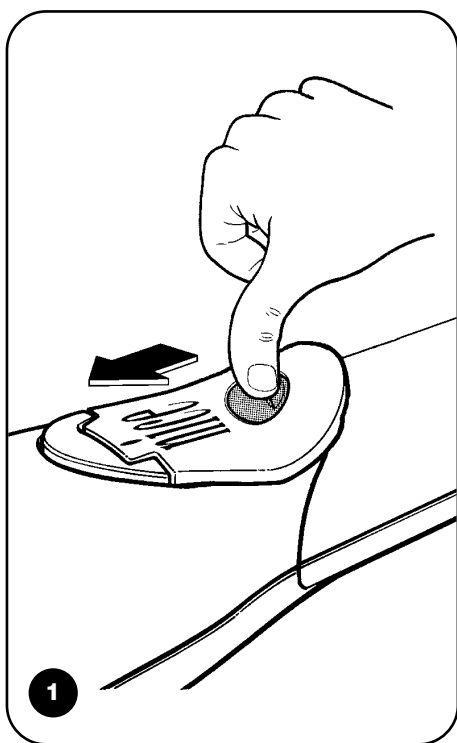
Każda automatyzacja jest jedyna i tylko Wasz instalator posiada doświadczenie i konieczny profesjonalizm do wykonania urządzenia zgodnie z Waszymi wymaganiami, pewnie i niezawodnie jednocześnie, a przede wszystkim zgodnie ze sztuką odpowiadającą obowiązującym normom.

Urządzenie automatyzacji, poza ważnym systemem bezpieczeństwa, jest doskonałą wygodą, i ze względu na niektóre proste rozwiązania jest przeznaczone na wieloletnie działanie.

Nawet, gdy automatyzacja, której jesteście posiadaczami satysfakcjonuje poziom bezpieczeństwa wymagany normami, nie wyklucza to jednak istnienia "cienia ryzyka", tzn. możliwości powstania niebezpiecznych sytuacji, zazwyczaj wynikających z lekkomyślnego lub wręcz błędnego użytkownika. Z tego też powodu pragniemy udzielić Wam niektórych rad, jak należy postępować, by uniknąć jakichkolwiek błędów:

- **Przed pierwszym użyciem automatyki** należy skorzystać z poleceń instalatora związanych z istniejącym niebezpieczeństwem i poświęcić kilka minut na lekturę, dostarczonej przez instalatora **instrukcji obsługi i ostrzeżenia podczas użytkowania**. Zachowajcie instrukcję na włąpności w przyszłości, oraz przekazcie ją ewentualnemu przyszłemu właścicielowi automatyki.
- Wasza automatyzacja jest urządzeniem, które dokładnie wykona wasze polecenia; użycie lekkomyślne lub niewłaściwe może stać się niebezpieczne: nie sterujcie ruchu automatyki, jeśli w zasięgu działania znajdują się osoby, zwierzęta lub rzeczy.

- **Dzieci:** urządzenie automatyzacji gwarantuje wysoki stopień bezpieczeństwa, zawierający systemy, które nie pozwalają na uruchomienie w przypadku obecności osób lub rzeczy. W każdym razie roztropnie jest zabronić dzieciom bawić w pobliżu automatyzacji, oraz by uniknąć przypadkowego uruchomienia nie zostawiać pilota w ich zasięgu: **to nie jest zabawka!**
- **Anomalie.** Jak tylko zauważycie jakiegokolwiek nieprawidłowe działanie automatyki, odłączcie zasilanie elektryczne urządzenia i odblokujcie mechanizm ręczny. Nie próbujcie sami napraw, ale żądajcie interwencji Waszego zaufanego instalatora: w między czasie urządzenie może działać nie automatycznie, z odblokowanym motoreduktorem, jak opisano powyżej.
- **Czynności konserwacyjne.** Jak każde urządzenie, Wasza automatyzacja, by jak najdłużej i całkowicie bezpiecznie mogła funkcjonować, wymaga okresowych czynności konserwacyjnych. Uzgodnijcie z Waszym instalatorem okresowy program tych czynności: Nice doradza, przy normalnym, domowym użytkowaniu, wykonania kontroli co 6 miesięcy, okres ten może być inny w zależności od intensywności użycia. Jakakolwiek interwencja kontrolna, serwisowa czy naprawcza musi być przeprowadzona przez personel kwalifikowany.
- Także w przypadku, gdy uważacie, że znacie się na tym, nie modyfikujcie urządzenia i parametrów programowania oraz regulacji automatyzacji: odpowiedzialność spoczywa na Waszym instalatorze.
- Końcowa kolaudacja, serwisy okresowe i ewentualne naprawy muszą być udokumentowane przez wykonującego, a dokumenty przechowywane u właściciela urządzenia.
- **Zbyt.** Po całkowitym zużyciu się automatyzacji, zbyt ma być wykonany osoby wykwalifikowane a materiały poddane recyklingowi lub zbyt zgodnie z aktualnie obowiązującymi normami lokalnymi.
- **W przypadku popsucia lub braku zasilania.** Czekaając na interwencję Waszego instalatora (lub powrót dopływu energii elektrycznej, jeśli urządzenie nie jest wyposażone w baterie rezerwowe), urządzenie może działać, jak każde inne, otwierając się w sposób nie automatyczny. By to zrobić, należy wykonać odblokowanie ręczne: ta czynność jest jedyną, która może być wykonana przez użytkownika automatyzacji. Ta funkcja jest szczególnie dopracowana przez Nice tak, aby zagwarantować Wam zawsze najłatwiejsze użytkowanie automatyzacji, bez wykorzystywania jakichkolwiek narzędzi czy wysiłku fizycznego.



1. Przesunąć ochronną membranę, jak na rys. 1
2. Włożyć klucz i przekręcić go w kierunku przeciwnym do ruchu wskazówek zegara, jak na rys. 2
3. Przesunąć klamkę w kierunku strzałki do punktu, jak na rys. 3
4. Ręcznie przesunąć skrzydło, doprowadzając je do punktu maksymalnego otwarcia lub zamknięcia
5. Celem zablokowania działać w odwrotnym kierunku

Ważne: Jeśli wasze urządzenie jest wyposażone w sterowanie radiowe, które po jakimś czasie wydaje Wam się, że działa gorzej lub nie działa zupełnie, może to zależeć od zwyczajnego wyczerpania się baterii (w zależności od typu, może ona wyczerpać się po kilku miesiącach jak i po dwóch/trzech latach). Możecie to stwierdzić faktem, że światelko potwierdzające transmisję jest słabe, nie zapala się wcale, lub zapala się tylko na krótko. Przed udaniem się do instalatora, spróbujcie wymienić baterię na tę z drugiego przekaźnika ewentualnie działającego: gdy będzie to powodem anomalii, wystarczającym będzie wymienić na baterię tego samego typu

Jesteście zadowoleni? W przypadku, gdybyście chcieli w Waszym domu zastosować dodatkowo nowe urządzenie automatyzacji, udajcie się do tego samego instalatora a Nice zagwarantuje Wam, wraz z konsultacją specjalisty, produkty najbardziej innowacyjne spośród produktów na rynku, pod względem funkcjonowania i z maksymalną kompatybilnością automatyzacji.

Dziękujemy Wam za przeczytanie tych zaleceń oraz życzymy Wam największego zadowolenia z Waszego nowego urządzenia: na jakiegokolwiek zapotrzebowanie, dzisiejsze lub w przyszłości udajcie się z zaufaniem do Waszego instalatora.

Dichiarazione CE di conformità / EC declaration of conformity

(secondo Direttiva 98/37/CE, Allegato II, parte B) (according to 98/37/EC Directive, Enclosure II, part B)

Numero / Number: 142/MB Data / Date: 01/2001

Revisione / Revision: 0

Il sottoscritto Lauro Buoro, Amministratore Delegato, dichiara che il prodotto

The undersigned Lauro Buoro, General Manager of the following producer, declares that the product

Nome produttore / Producer name: NICE S.p.A.

Indirizzo / Address: Via Pezza Alta 13, 31046 Z.I. Rustignè - ODERZO - ITALY

Tipo / Type: Attuatore elettromeccanico "MOBY" per cancelli a battenti / Electromechanical gearmotor for swing gates

Modello / Model: MB4005, MB4006, MB4015, MB4024, MB4605, MB4615, MB5015, MB5015, MB5016, MB5024, MB5615

Accessori / Accessories: Nessun accessorio / No accessory

Risulta conforme a quanto previsto dalle seguenti direttive comunitarie / Appears to be in conformity with the following community (EEC) regulations

Riferimento n° Reference n°	Titolo Title
73/23/CEE, 93/68/CEE	DIRETTIVA BASSA TENSIONE e successiva modifica / Low Voltage Directive
89/336/CEE	DIRETTIVA COMPATIBILITA' ELETTROMAGNETICA (EMC) / EMC Electromagnetic Compatibility Directive
98/37/CE (EX 89/392/CEE)	DIRETTIVA MACCHINE / Machinery Directive

Risulta conforme a quanto previsto dalle seguenti Norme armonizzate / Appears to be in conformity with the following harmonized standards regulations

Riferimento n° Reference n°	Edizione Issue	Titolo Title	Livello di valutazione Estimate level	Classe Class
EN60335-1	04/1998	Sicurezza degli apparecchi elettrici d'uso domestico e similare. Norme generali Safety of household and electrical appliances. General requirements		
EN60204-1	09/1993	Sicurezza del macchinario - Equipagg. elettrico delle macchine Parte 1: Reg. generali / Safety of machinery - Electrical equipment of machines Part 1: General requirements		
EN55022	09/1998	Apparecchi per la tecnologia dell'informazione Caratteristiche di radiodisturbo. Limiti e metodi di misura Information technology equipment - Radio disturbance characteristics. Limits and methods of measurement		B

Risulta conforme a quanto previsto dalle altre norme e/o specifiche tecniche di prodotto / Appears to be in conformity with the other standards and/or product technical

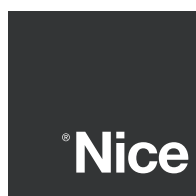
Riferimento n° Reference n°	Edizione Issue	Titolo Title	Livello di valutazione Estimate level	Classe Class
EN 12445	11/2000	Industrial, commercial and garage doors and gates Safety in use of power operated doors - Test methods		
EN 12453	11/2000	Industrial, commercial and garage doors and gates Safety in use of power operated doors - Requirements		

Inoltre dichiara che non è consentita la messa in servizio del prodotto suindicato finché la macchina, in cui il prodotto stesso è incorporato, non sia identificata e dichiarata conforme alla direttiva 98/37/CE / He declares, moreover, that it is not allowed to use the above mentioned product until the machine, in which this product is incorporated, has been identified and declared in conformity with the regulation 98/37/CE.

P.S.: Il prodotto suindicato si intende parte integrante di una delle configurazioni di installazione tipiche, come riportato nei nostri cataloghi generali / The above mentioned product is meant integral part of one of the installation configuration as shown on our general catalogues

Oderzo, 20 Dicembre 2000

Amministratore delegato
(General Manager)
Lauro Buoro



Nice SpA
Oderzo TV Italia
Tel. +39.0422.85.38.38
Fax +39.0422.85.35.85
info@niceforyou.com

Nice Padova
Sarmeola di Rubano PD Italia
Tel. +39.049.89.78.93.2
Fax +39.049.89.73.85.2
info.pd@niceforyou.com

Nice Roma
Roma Italia
Tel. +39.06.72.67.17.61
Fax +39.06.72.67.55.20
info.roma@niceforyou.com

Nice France
Buchelay
Tel. +33.(0)1.30.33.95.95
Fax +33.(0)1.30.33.95.96
info@nicefrance.fr

Nice Rhône-Alpes
Decines Charpieu France
Tel. +33.(0)4.78.26.56.53
Fax +33.(0)4.78.26.57.53
info.lyon@nicefrance.fr

Nice France Sud
Aubagne France
Tel. +33.(0)4.42.62.42.52
Fax +33.(0)4.42.62.42.50
info.marseille@nicefrance.fr

Nice Belgium
Leuven (Heverlee)
Tel. +32.(0)16.38.69.00
Fax +32.(0)16.38.69.01
info@nicebelgium.be

Nice España Madrid
Tel. +34.9.16.16.33.00
Fax +34.9.16.16.30.10

Nice España Barcelona
Tel. +34.9.35.88.34.32
Fax +34.9.35.88.42.49

Nice Polska
Pruszków
Tel. +48.22.728.33.22
Fax +48.22.728.25.10
info@nice.com.pl

Nice China
Shanghai
Tel. +86.21.525.706.34
Fax +86.21.621.929.88
info@niceforyou.com.cn

COMPANY
WITH QUALITY SYSTEM
CERTIFIED BY DNV
=ISO 9001/2000=

www.niceforyou.com

Nice Gate is the doors and gate automation division of Nice

Nice Screen is the rolling shutters and awnings automation division of Nice

**gearmotor
for swing gates**



moby

Instructions and warnings for the fitter

Istruzioni e avvertenze per l'installatore

Instructions et recommandations pour l'installation

Anweisungen und hinweise für den installateur

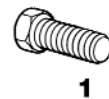
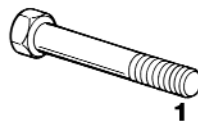
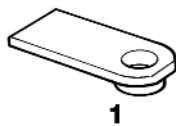
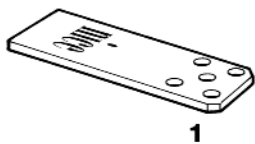
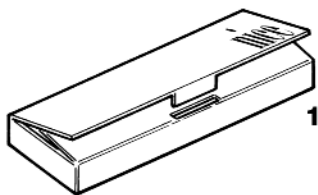
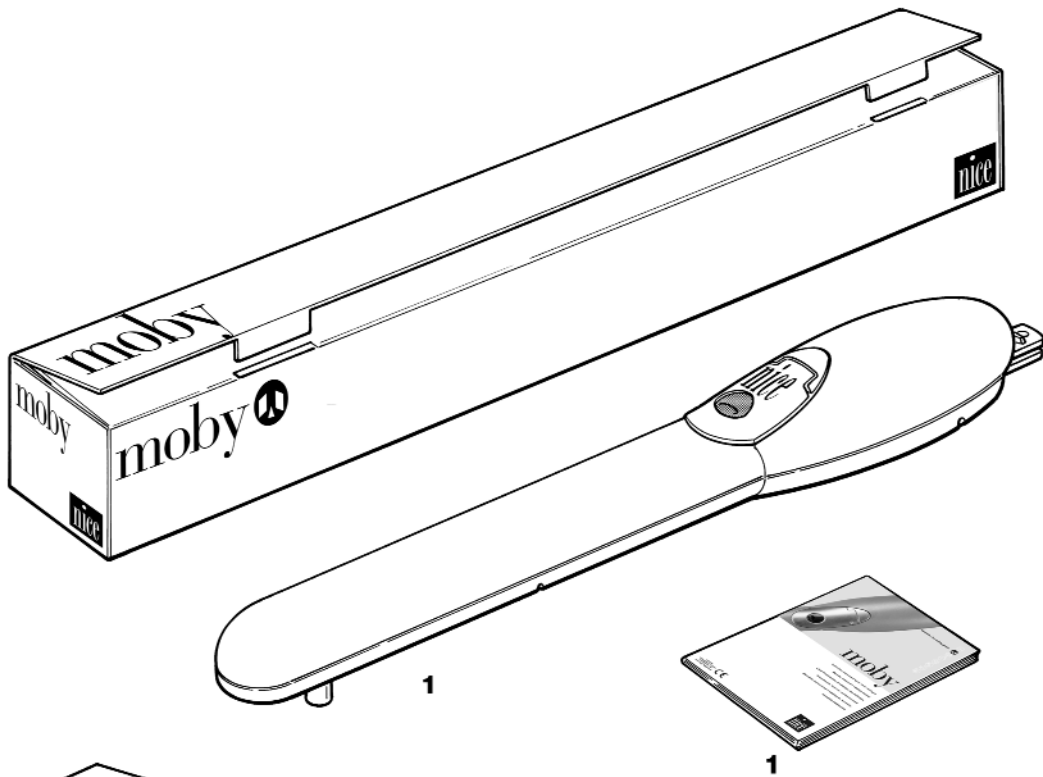
Instrucciones j advertencias para el instalador

Instrukcja dla instalatora

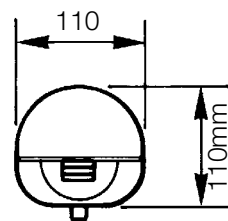
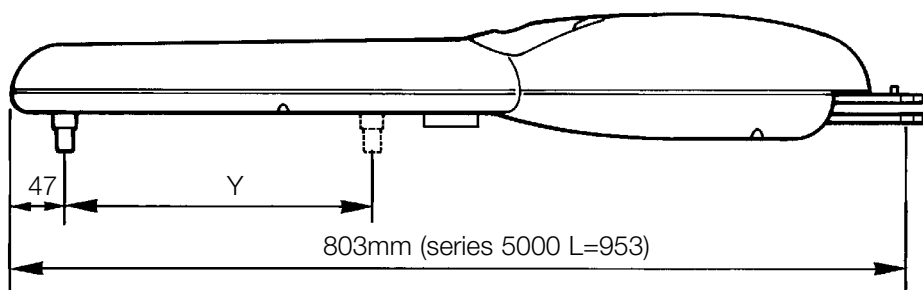
COMPANY
WITH QUALITY SYSTEM
CERTIFIED BY DNV
=ISO 9001/2000=



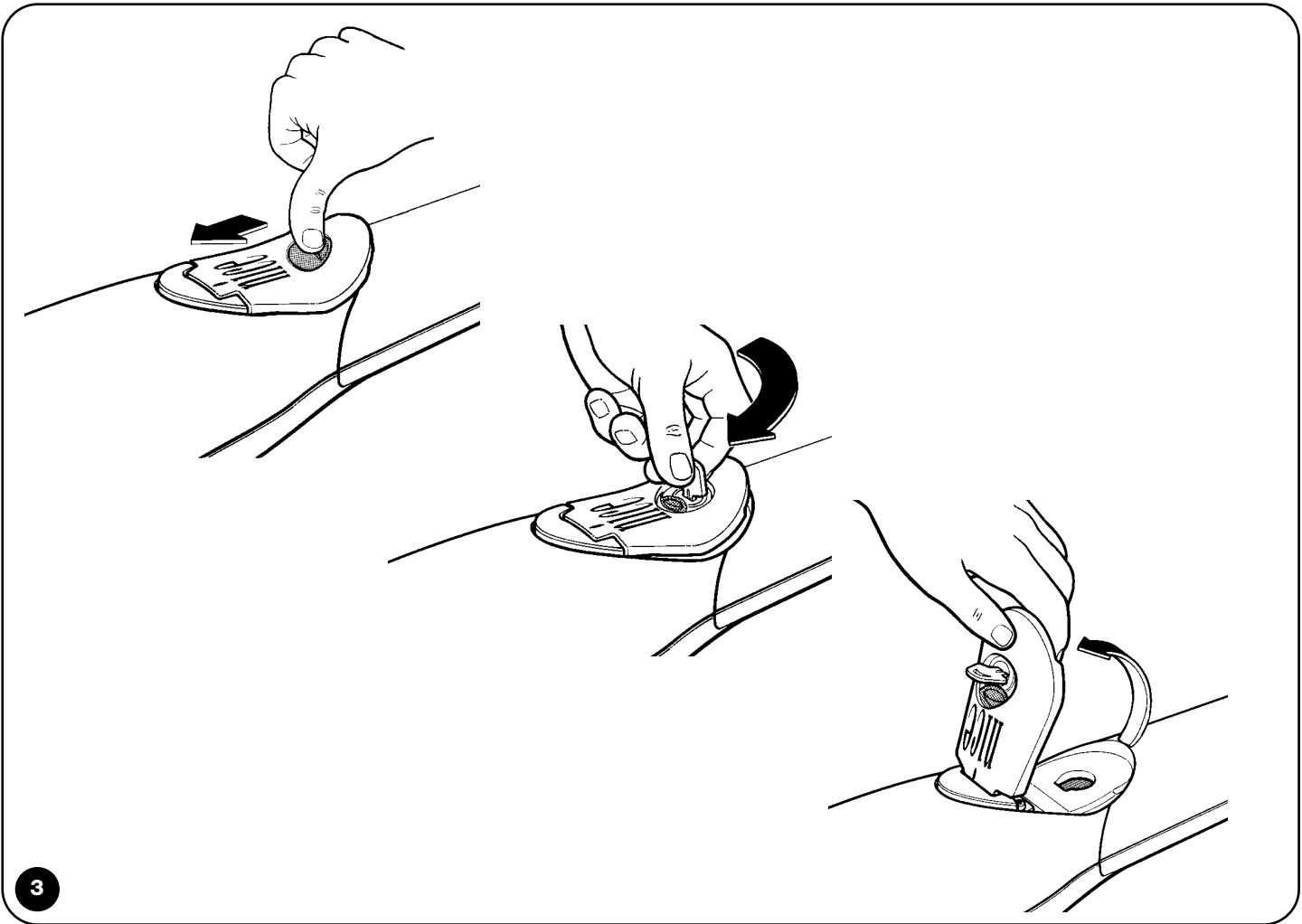
Nice



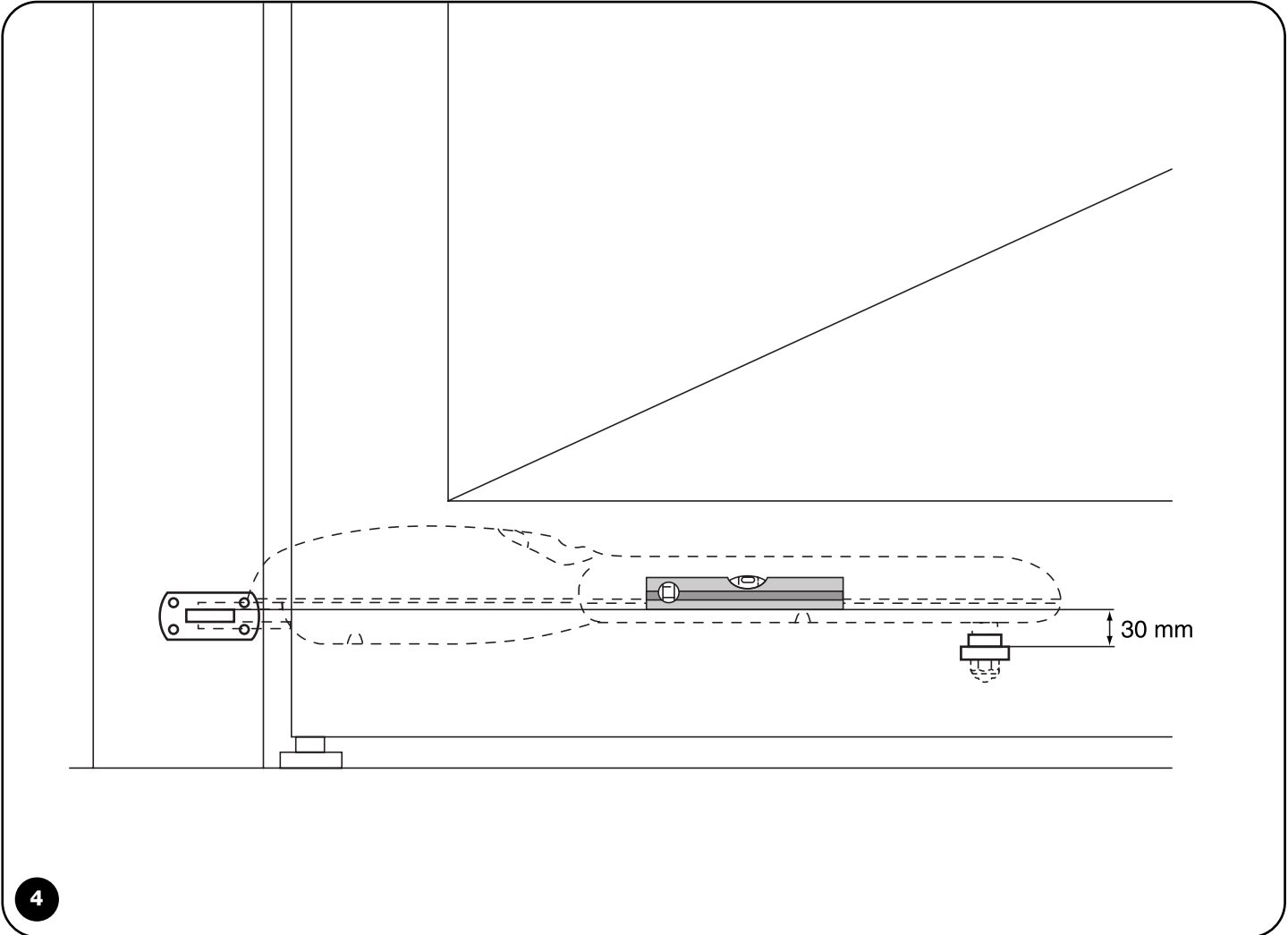
1



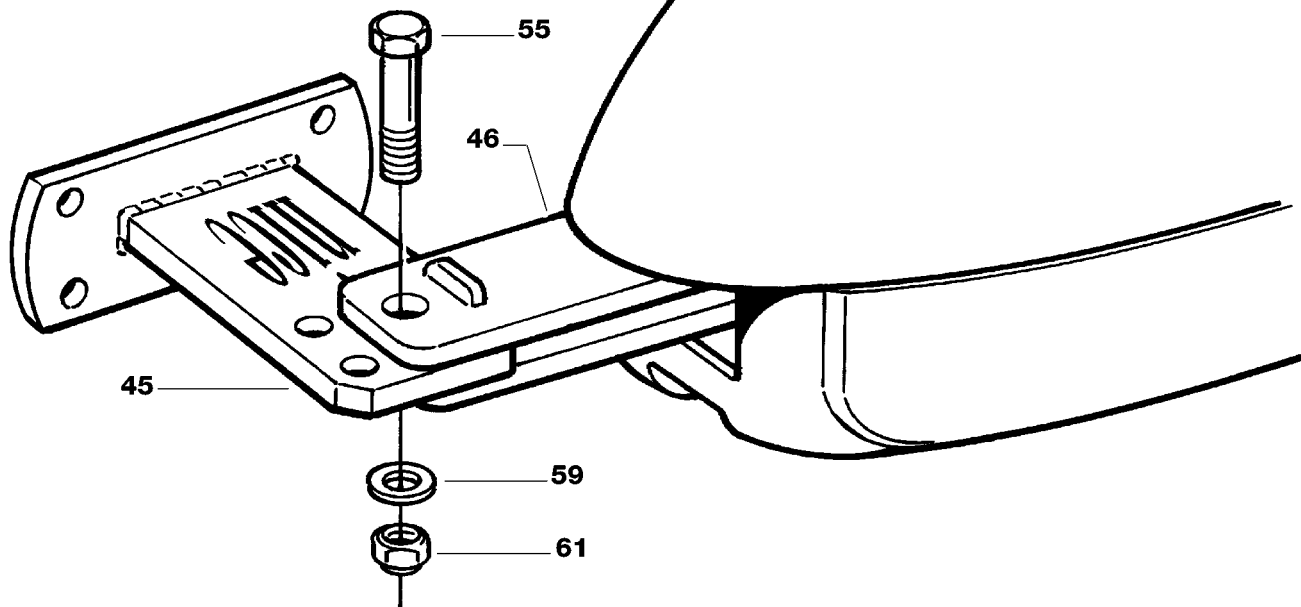
2



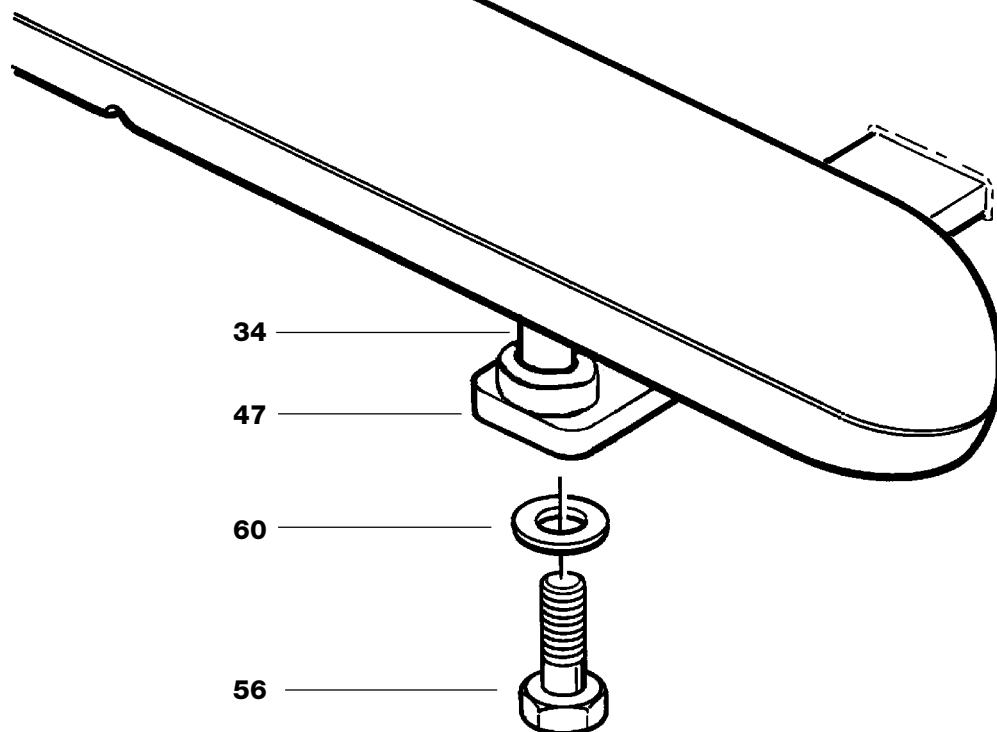
3



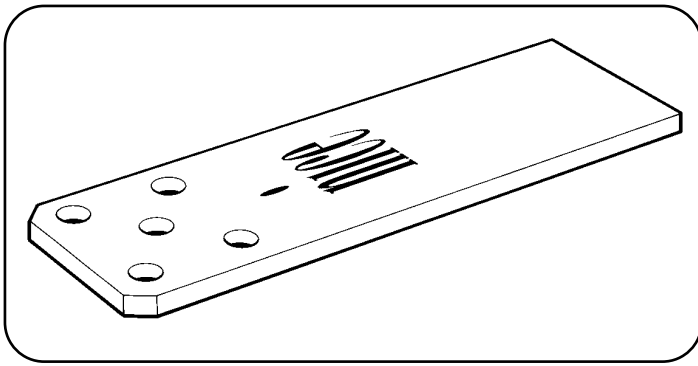
4



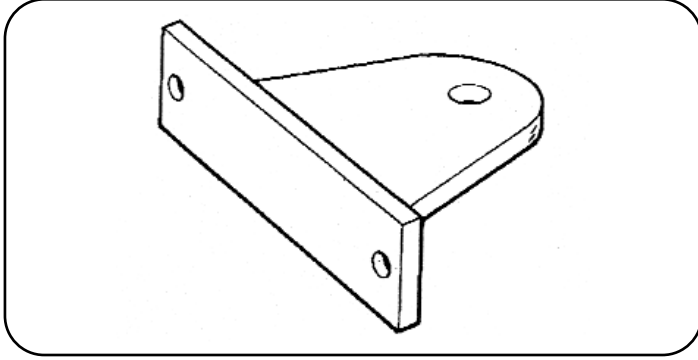
5



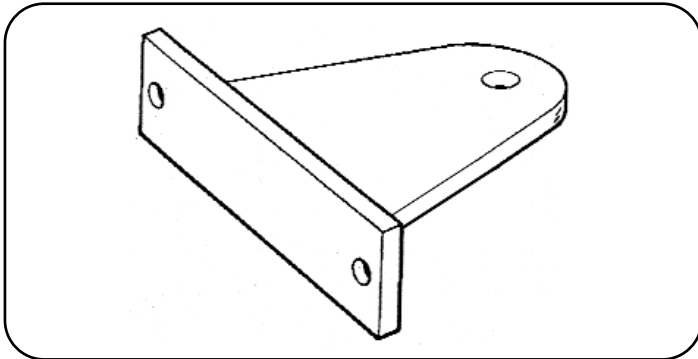
6



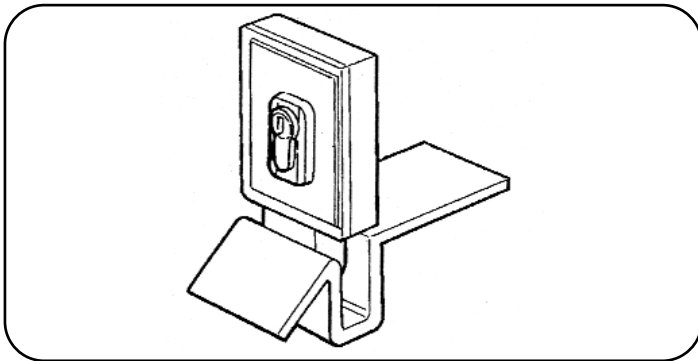
PLA 6



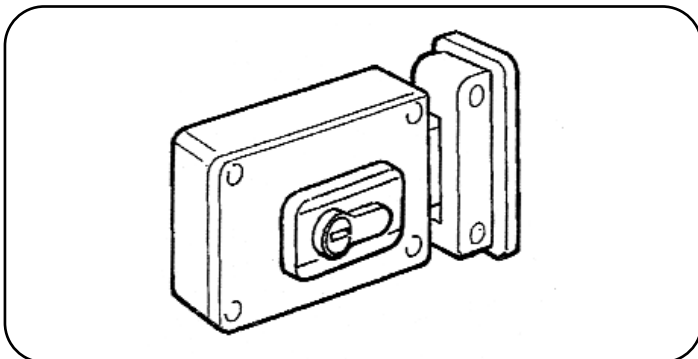
PLA 7 series 4000



PLA 8 series 5000



PLA 10



PLA 11

MB4005

rif.	mod.	art.
1	BMGMOPA	34567
2	BMGMOPB	34567
3	BMGWAA	34567
4	BMGWAB	34567
5	PEDS501A	4650
6	PECR50C	4670
7	PMCU1	4630
8	PMCU12	4630
9	PMCAC10	4630
10	BMG0780	4567
11	BMG0781	4567
12	V4x65	5102
13	D4-D	5110
14	V4.8x13	5101
15	PMD0576	4610
16	PMCBR	4630
17	n.p.	
18	PMDAP4	4610
19	PMCS5C	4630
20	PPD0452	4540
21	MO-B	2640
22	PMDC05	4610
23	PMCS18	4630
24	PMP55	4610
25	R08C	5120
26	GOR-E1	5501
27	PMDICGM	24610
28	PMCS10	4630
29	PMCU3	4630
30	PMCS25	4630
31	PMCS51	4630
32	PMDVR5	4610
33	PPD0944	4610
34	PMPU1	8003
35	CM-B	1630
36	BPMMO	4540
37	V4x5	5102
38	BMGMOS	34567
39	MO-S	2640
40	PMCS42	4630
41	V4.2x9	5101
42	BPMW2	4540
43	07U450	0727
44	PMDPA	4610
45	PMDSMP	4610
46	PMD0782	4610
47	PMDSMA	4610
48	C4VFMPM	2065
49	C4VMPM	8003
50	EN	4870
51	PPD1038	4540
52	CMMO	8003
53	D6	5102
54	V6x18A	5102
55	V10x40	5101
56	V8x10	5102
57	V6.3x19	5101
58	V2.9x9.5-A	5101
59	R10	5120
60	R8	5120
61	D10	5110
62	V4x8	5105
63	R04E	5120
64	n.p.	
65	n.p.	
66	PPD0572	4540
67	PPD1040	4540
68	n.p.	
69	n.p.	
70	n.p.	
71	n.p.	
72	n.p.	
73	MPFB3	2601
74	n.p.	
75	MMCT	2620
76	MO-Z	2640
77	PPD1039	4540
78	BMG0984	4540
79	BMG0985	4540
80	GOR12	5501
81	PPD0231	4610
82	PMCAC41	4630

MB4006

rif.	mod.	art.
65	CMMO1	8003

MB4015

rif.	mod.	art.
32	PMDVR6	4610
33	PPD0943	4610

MB5015

rif.	mod.	art.
3	BMGWALA	34567
4	BMGWALB	34567
32	PMDVR7	4610
33	PMD0943	4610

MB5016

rif.	mod.	art.
3	BMGWALA	34567
4	BMGWALB	34567
32	PMDVR7	4610
33	PPD0943	4610
47	PMD0101	4610
65	CMMO2	8003

MB4024

rif.	mod.	art.
17	V5X10-A	5102
22	PMDC06	4610
32	PMDVR6	4610
33	PMD0943	4610
64	MBA01	
68	PMD0477A	4610
69	PMD0477	4610
70	PPD0234	4610
71	PMD0527	4610
72	PMD0528	4610
74	V6x25	5102

MB5024

rif.	mod.	art.
3	BMGWALA	34567
4	BMGWALB	34567
17	V5x10-A	5102
22	PMDC06	4610
32	PMDVR7	4610
33	PMD0943	4610
47	PMD0101	4610
64	MBA01	
68	PMD0477A	4610
69	PMD0477	4610
70	PMD0234	4610
71	PMD0527	4610
72	PMD0528	4610
74	V6x25	5102

MB4605

rif.	mod.	art.
5	PEDS50	4650
6	PMD0468	4610
22	PMDC07	4610

MB4615

rif.	mod.	art.
5	PEDS50	4650
6	PMD0468	4610
22	PMDC07	4610
32	PMDVR6	4610
33	PMD0943	4610

MB5615

rif.	mod.	art.
3	BMGWALA	34567
4	BMGWALB	34567
5	PEDS50	4650
6	PMD0468	4610
22	PMDC07	4610
32	PMDVR7	4610
33	PMD0943	4610
47	PMD0101	4610

